

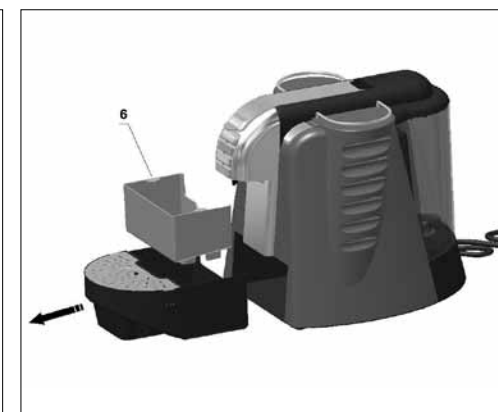
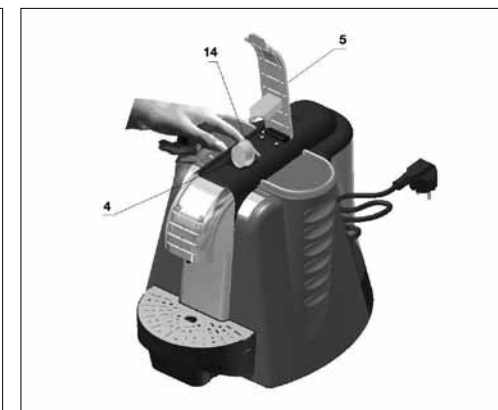
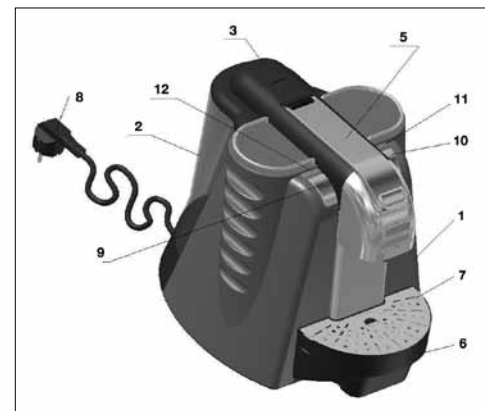
fantastica



- *Coffee Machine Instructions for use*
- *Macchina per caffè Istruzioni per l'uso*
- *Machine à café Instructions pour l'emploi*
- *Kaffeemaschine Benutzerhandbuch*
- *Máquina para café Instrucciones para el uso*
- *Máquina per café Instruções para o uso*



English.....	Page 4
Italiano.....	Page 10
Français.....	Page 16
Deutsch	Page 22
Español.....	Page 28
Português.....	Page 34
中文.....	Page 40



THANK YOU FOR CHOOSING SAMCO

Congratulations on choosing the Fantastica coffee machine by SAMCO. SAMCO has a long, rich history of producing food and beverage related products for the global consumer market. The Samco Fantastica Automatic Espresso Machine is designed with state of the art technology, built with the highest quality components, and repeatedly tested to assure outstanding reliability. SAMCO has invested years of research, development, and Italian coffee experience into a product we hope you will enjoy for years to come.

Before using the machine, we advise you to read this instruction booklet carefully, so as to make the most of the machine's functions and avoid any problems that might arise from improper or non-compliant use of it.

1) TECHNICAL SPECIFICATIONS

Voltage:	V 110/120, 230/240
Frequency:	Hz 50/60
Input power:	W 1200
Dimensions (LxDxH):	27cm x 38cm x 28 cm
Rated capacity of tank:	1,2 L
Weight (approximately) :	5 kg

2) PLEASE REVIEW THESE SAFETY INSTRUCTIONS PRIOR TO OPERATION



Read these instructions carefully, because they contain important information about safe installation, use and maintenance. Keep this booklet to refer to when needed.

This machine is designed for making espresso coffee (using capsules), solely for household use. It must not be used for other purposes and must not be altered or tampered with in any way. Use for any other purpose is considered improper and therefore dangerous. The manufacturer cannot be held responsible for any damages resulting from improper, erroneous or unreasonable use.

Before using, check that the mechanical and other parts of the machine are intact:

- The body of the machine, tank lid, tank, and cartridge-holder unit must not be broken or cracked.
- The sheath and plug of the power cord must not be cracked or broken. If this should occur, disconnect the plug immediately and take the machine to an authorized dealer for service.
- It is advisable to power the machine using a contact breaker (RCD) with operating current not higher than 30 mA.
- Keep the power cord out of the reach of children.
- Make sure the machine is turned off before plugging it into the wall outlet.
- The electrical safety of this machine is only assured when it is connected to an efficient ground system, in accordance with your local safety regulations. Have this important requirement checked by a qualified electrician. The manufacturer cannot be held responsible for damage caused by lack of a ground.
- Before plugging in the machine, make sure that the electric power supply is appropriate for the machine.
- Flying leads or non-approved extensions must not be used to supply electricity to the machine.
- Before using the machine, remove all protective films from the outside walls of its body.



The first time the machine is used there might be an unusual scent caused by the insulating materials and the heating elements. This is normal, and should disappear after a few minutes. Do not leave the machine on without water in the tank.

- Never immerse the machine, power cord, or plug in water or other liquids.
- Keep the power cord away from the hot parts of the machine.
- While in operation, the power plug must always be easy to get at in case the machine has to be disconnected.
- Do not disconnect the machine by pulling the power cord.
- Do not move the machine while it is working.
- Do not use or put the machine outdoors or near water.
- Always unplug the machine after use.
- Never remove the guards from the machine for any reason.



Do not leave the machine in rooms where the temperature is 0°C or lower. If you are planning not to use the machine for a fairly long time, make sure you leave the water tank empty.

This machine must never be used by children, invalids, etc., except under strict supervision, nor in any case by anyone who has not been properly instructed about how to use it.

- Do not use the machine with bare feet and wet hands.
- Always unplug the power plug before cleaning or moving the machine.



Do not touch the hot parts of the machine immediately after use, danger of burns.

- While dispensing the drink, beware of possible splashes of hot liquid.
- Do not raise the capsule-holder compartment while dispensing the drink.

3) UNPACKING AND PLACEMENT

Remove the machine from its packaging and check that there are no missing or broken parts.



Packing materials (cardboard, cellophane, metal staples etc.) could cut or cause injury if not handled carefully or if used incorrectly; keep them out of the reach of children or unskilled persons.

- Place the machine on a flat, even, stable, heat-resistant surface, strong enough to bear its weight.
- Do not install or use the machine near curtains or other flammable material.
- Do not place anything on top the machine during use.
- Do not place the machine on top of, or close to, an oven, or other equipment that generates heat (for instance: radiators, etc.)
- Make sure there is enough space around the machine for proper ventilation.

4) HOW TO USE THE MACHINE

a) NAMES OF PARTS (Fig. 1)

1. Machine body
2. Water tank
3. Tank lid
4. Capsule-insertion compartment
5. Lever for opening capsule-insertion compartment
6. Drip basin and capsule drawer
7. Removable cup-grid double height position
8. Power plug

b) MACHINE CONTROLS (Fig. 1)

9. Long Espresso dispensing switch
10. Short Espresso dispensing switch
11. Water temperature ready light
12. Power light
13. ON/OFF switch (fig 1b)

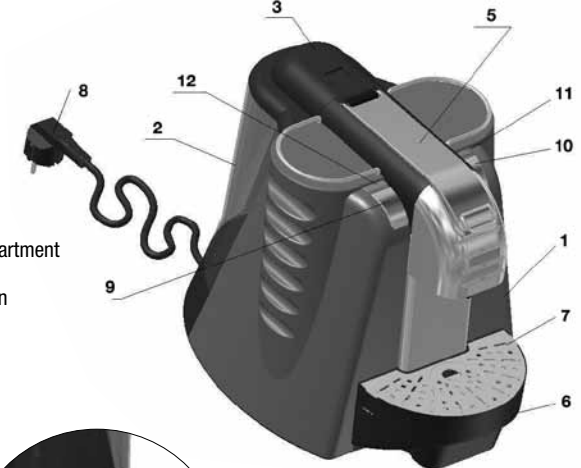


Fig. 1

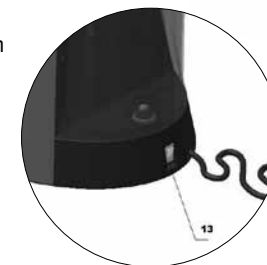


Fig. 1b

c) PREPARING THE MACHINE

Starting up for the first time

The first time you use the machine, or if it has not been used for a long time, the following must be done:

- Remove the tank (#2, Fig. 3) from the machine, rinse it well with water and put it back in the machine making sure it is fitted properly.
- Make sure the lever (#5, Fig. 4) is down, and then place a cup on the cup rest (#7, Fig. 4).
- Press the power switch (#13, Fig. 1) to turn the machine "ON"; the light (#12, Fig. 1) goes on.

Water filling

- Open the tank lid (#3, Fig. 2) and pour cold water into the tank (#2, Fig. 2), then put back the lid (#3, Fig. 2).

Electric connection



Make sure that the power switch (#13, Fig. 1) is in the "OFF" position, then connect the machine to the electricity by inserting the plug (#8, Fig. 1) in the socket.

Starting up the machine

- Make sure there is enough water in the tank (#2, Fig. 1); if not, fill water as explained in section "Water Filling" section.
- Press the power switch (#13, Fig. 1) to turn the machine "ON"; light (#12) comes on to indicate power is switched on.
- Heating of the water in the tank starts automatically.
- Wait for the water to reach the right temperature as indicated by the illumination of the temperature-ready light (#11 Fig.1).

5) MAKING COFFEE

- 1- Open the capsule-insertion compartment (#4, Fig. 1) by raising the lever (#5, Fig. 5).
- 2- Place a capsule (#14, Fig. 5) in the capsule insertion slot (#4, Fig. 5).
- 3- Lower the lever (#5, Fig. 5) to closed position.
- 4- Wait for the water to reach the right temperature as indicated by the illumination of the temperature-ready light (#11, Fig.1).
- 5- Place a cup on the cup rest (#7, Fig.4) and press the switch (#9 or #10, Fig. 1) to start dispensing coffee. When the proper amount has been dispensed the machine will stop automatically.
- 6- When dispensing is finished, if you want to make another coffee, raise the handle (#5, Fig. 5) to the open position, insert a new capsule, and the used capsule is automatically unloaded into the drawer (#6, Fig. 4).

Note: After dispensing coffee always leave the capsule-insertion compartment (#4, Fig.5) closed, (#5, Fig.4).

The capsule drawer (#6, Fig. 6) can hold a maximum of 15 capsules, after which it absolutely must be emptied. To do this simply pull the drawer outwards. It is advisable to empty the capsules from the drawer (#6, Fig. 1) after making 6-8 coffees.

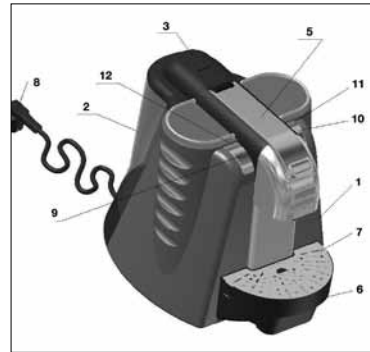


Fig. 1

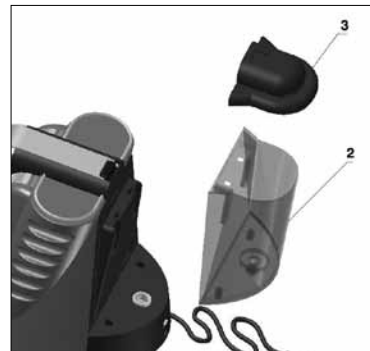


Fig. 2

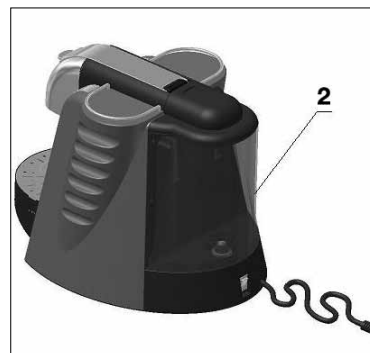


Fig. 3

6) PROGRAMMING DOSES

If you wish to alter the default settings and customize the amount of coffee dispensed :

- Hold down the «long espresso» button (#9, Fig.1), and switch on the machine. The indicator light (12 Fig.1) will blink quickly.
- Release the long espresso button and open the capsule-insertion compartment (#4, Fig. 1) by raising the lever (#5, Fig. 5)
- Place a capsule (#13, Fig. 5) in the capsule insertion slot (#4, Fig. 5)
- Lower the lever (#5, Fig. 5) to closed position.
- Hold down the key relating the espresso size that you want to program, and release it only when the length of the desired dose is reached.
- Repeat the same operation to program the "short espresso" key.
- To confirm the programming operation, switch off the machine and switch it on again (#13, Fig.1).

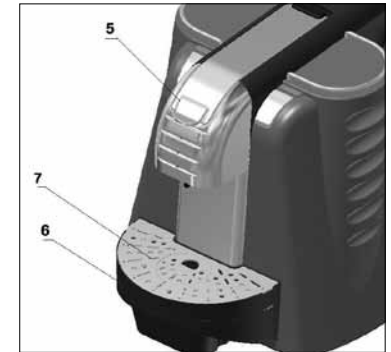


Fig. 4

7) MACHINE MAINTENANCE

a) CLEANING THE MACHINE



Before doing any cleaning, ALWAYS disconnect the plug (#8, Fig. 1) from the power socket.

- Use a damp cloth to clean the body of the machine (1 Fig. 1). Do not use abrasive detergents.
- Never immerse the machine body (#1, Fig.1) in water or other liquids.
- Never wash the machine body (1 Fig. 1) in the dishwasher.
- Remove the cup rest (7 Fig. 1) and the basin (6 Fig. 1), and wash them with any ordinary dishwashing soap.
- Periodically remove the water tank (2 Fig. 3) and rinse it with clean water.

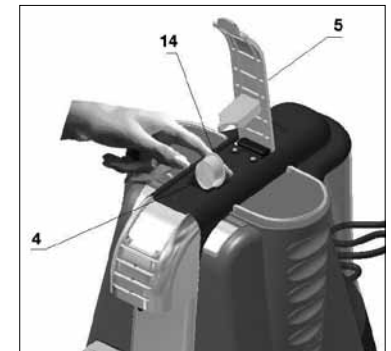


Fig. 5

b) DESCALING THE MACHINE

- Descale the machine periodically. (The frequency of this operation depends on the hardness of the water used.)
- Pour a measure of descaling liquid into the tank (#2, Fig. 1) and follow the manufacturer's instructions.



Only use solutions suited for espresso coffee machines.

- Make sure that there is a capsule in the capsule- compartment (4 Fig. 1)
- Lower the lever (5 Fig. 1).
- Start the machine as explained in the section "Starting up the machine".
- Place a vessel with a capacity of about 500 cc on the grid (7 Fig. 1).
- Dispense hot water 3-4 times by pressing button (#9 Fig. 1).

Repeat the operations described above, using clean water only. This will remove residues of the solution from the circuit. Rinse the tank (#2, Fig. 1) well, and dry it before using the machine again.

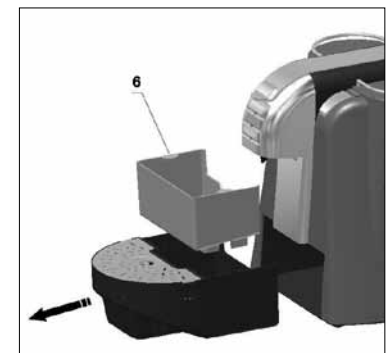


Fig. 6

8) ADDITIONAL WARNINGS

If the power supply cord is damaged, it must be replaced by the manufacturer or its service agent or a similar qualified person in order to avoid a hazard.

This appliance is not intended for use by persons (including children) with reduced physical, sensory or mental capabilities, or lack of experience and knowledge, unless they have been given supervision or instruction concerning use of the appliance by a person responsible for their safety.

Children should be supervised to ensure that they do not play with the appliance.

This appliance is intended to be used in household and similar applications such as: staff kitchen areas in shops, offices and other working environments; farm houses; by clients in hotels, motels and other residential type environments; bed and breakfast type environments. If the plug of the machine does not fit into the socket have the plug changed by a qualified person who should also make sure that the section of the wires of the plug are suitable for the power absorbed by the machine.

The use of adaptors, multiple sockets and/or extension cords is not advised. If they have to be used it is necessary to use only simple or multiple adaptors and extension cords compliant with the safety regulations in force and to make sure the capacity limit is not exceeded.

There are basic rules to be observed when using electrical equipment. In particular:

- Do not touch or use the equipment with wet or damp hands or in bare feet;
- Children should be supervised to ensure that they do not play with the appliance;
- Do not pull on the power lead or the equipment itself for unplugging it;
- Do not allow the equipment be used by children or unskilled persons without supervision.

If the machine is broken or not working properly, shut it off and do not tamper with it.
If repairs are needed, only go to an authorised dealer.

Non-compliance with the foregoing could affect the safety of the machine.

If you decide not to use the machine any more, you must put it out of commission by cutting the power cord, after unplugging the plug from the socket.

It is also advisable to make safe any parts of the machine that could be a danger, especially for children who might play with the unused machine.

Installation must be done according to the manufacturer's instructions. Improper installation can cause harm to persons, animals or things, for which the manufacturer cannot be held responsible.

To avoid dangerous overheating, it is advisable to unwind the whole power cord and only to use the machine as advised in the "Instructions for Use" section.

If the power cord of the machine is damaged, it must only be replaced by an authorized dealer.

The manufacturer cannot be held responsible for any harm to persons, animals or things arising from improper and unreasonable use of the machine and for repairs done by unqualified persons.

9) TROUBLESHOOTING

If the machine is not working properly, try conducting these simple checks set out below. If the problem is not among those listed or if it persists after following troubleshooting directions, contact an authorised dealer.

PROBLEM	POSSIBLE CAUSE	POSSIBLE SOLUTION
Machine won't start	Not properly plugged into the power socket.	Make sure it is properly plugged in.
The coffee is too cold.	The machine is not ready.	Wait until the temperature is reached, shown by the indicator light.
Coffee is not being dispensed or it is being done too slowly.	Not enough water in the tank	Make sure that water is filled to the appropriate level.

Gentile Signora, Egregio Signore,

Ci complimentiamo con Lei per aver scelto una macchina per caffè SAMCO FANTASTICA.

La sua nuova macchina, dotata dei componenti più innovativi, garantiti dal Know-how e dalla esperienza Italiana, è costruita e collaudata con i metodi più avanzati della ricerca e della tecnica moderna, per garantirLe qualità, affidabilità, nel rispetto più profondo dell'ambiente.

Prima di utilizzare questo apparecchio, La invitiamo a leggere attentamente il presente "libretto di istruzioni per l'uso" al fine di ottimizzarne le caratteristiche funzionali ed eliminare qualsiasi inconveniente che potrebbe insorgere da un uso errato o non conforme dello stesso.

CARATTERISTICHE TECNICHE

• Tensione	V 230/240
• Frequenza	Hz 50/60
• Potenza massima:	W 1200
• Dimensioni (LxDxH):	27 x 38 x 28 cm.
• Capacità Serbatoio:	L1,2
• Peso (approssimativo)	kg 5

AVVERTENZE D'USO

Leggere attentamente le avvertenze contenute nelle presenti istruzioni in quanto forniscono importanti indicazioni riguardanti la sicurezza di installazione, d'uso e di manutenzione. Conservare con cura questo libretto per ogni ulteriore consultazione.

- Prima di ogni utilizzo verificare l'integrità meccanica dell'apparecchio in tutti i suoi componenti. Il corpo apparecchio, il coperchio serbatoio, il serbatoio, il gruppo portacalda non devono presentare rotture o incrinature. La guaina e la spina del cavo di alimentazione non devono evidenziare screpolature o rotture. Al verificarsi di quanto sopra descritto, scollegare subito la spina dalla presa di corrente e portare l'apparecchio presso un rivenditore autorizzato per le necessarie verifiche.
- Si raccomanda di alimentare l'apparecchio attraverso un interruttore differenziale (RCD) con corrente di intervento non superiore a 30 mA.
- Non lasciare il cavo di alimentazione elettrica alla portata di bambini.
- Prima di inserire la spina nella presa di corrente a muro, assicuratevi che l'apparecchio sia spento.
- La sicurezza elettrica di questo apparecchio è assicurata soltanto quando è collegato ad un efficiente impianto di messa a terra come previsto dalle vigenti norme di sicurezza. Far verificare questo importante requisito da parte di personale professionalmente qualificato.

Il costruttore non può essere considerato responsabile per danni causati dalla mancanza di messa a terra.

- Prima di collegare elettricamente l'apparecchio controllare che la rete di alimentazione elettrica corrisponda a quella dell'apparecchio.
- È vietato utilizzare cavi volanti o prolunghie non omologate per alimentare elettricamente l'apparecchio.
- Prima di utilizzare l'apparecchio, rimuovere tutte le eventuali pellicole di protezione dalle pareti esterne del corpo apparecchio.
- Al momento della prima utilizzazione potrebbe esserci emissione di odore causato dai materiali di isolamento e degli elementi riscaldanti. Questo inconveniente scompare dopo pochi minuti.

**Non lasciare l'apparecchio senza acqua nel serbatoio.**

- Non immergere mai l'apparecchio, il cavo di alimentazione e la spina, in acqua o in altri liquidi.
- Mantenere il cavo di alimentazione lontano dalle parti calde dell'apparecchio.
- Durante il funzionamento, la presa di corrente deve essere facilmente accessibile nel caso in cui fosse necessario scollegare l'apparecchio.
- Evitare di scollegare l'apparecchio tirando il cavo di alimentazione.
- Non spostare l'apparecchio quando è in funzione.
- Non utilizzare o riporre l'apparecchio all'esterno od in prossimità di acqua.
- Dopo ogni utilizzo disinserire sempre la spina dalla presa di corrente.
- Non rimuovere per alcun motivo i carter dell'apparecchio.



Non lasciare l'apparecchio in ambienti la cui temperatura sia pari o inferiore a 0°C. Se si intende lasciare inattiva la macchina per un periodo di tempo piuttosto lungo, svuotare il serbatoio dell'acqua.

- Questo apparecchio non deve essere usato dai bambini, invalidi ecc. senza una stretta sorveglianza, o da persone che comunque non siano state istruite in modo adeguato per l'utilizzo dell'apparecchio e per la comprensione dei pericoli derivanti da un uso scorretto.
- Non utilizzare l'apparecchio con piedi nudi e mani bagnate.
- Disinserire sempre la spina dalla presa di corrente prima di procedere alla pulizia dell'apparecchio e prima di effettuare qualsiasi tipo di operazione.

**SICUREZZA OPERATORE**

- Non toccare le parti calde subito dopo l'uso dell'apparecchio. Pericolo di scottatura.
- Durante l'erogazione della bevanda prestare attenzione ad eventuali schizzi di liquido caldo.
- Non sollevare la leva del vano porta capsula durante l'erogazione della bevanda.

DISIMBALLO E POSIZIONAMENTO

- Rimuovere la macchina dall'imballo e controllare che vi siano presenti tutti i componenti e che non presentino rotture.



Gli elementi dell'imballo (cartone, cellophane, graffette di metallo ecc.) possono tagliare o ferire se non vengono maneggiati attentamente o se usati erroneamente; tenere lontano dalla portata dei bambini o persone inadatte.

- Posizionare l'apparecchio su una superficie piana, regolare, stabile, termoresistente ed adeguata al peso dell'apparecchio stesso.
- Non installare né utilizzare l'apparecchio vicino a tendaggi o altro materiale infiammabile, e non ponete nessun oggetto sopra l'apparecchio durante l'uso.
- Non posizionare l'apparecchio sopra o nelle immediate vicinanze di un forno tradizionale o altri apparecchi che generano calore (per esempio termosifone etc.).
- Assicurarsi che intorno all'apparecchio vi sia sufficiente spazio per la corretta ventilazione.

USO CORRETTO

- Questo apparecchio è stato progettato per produrre caffè espresso (tramite capsule), esclusivamente per un uso domestico. Non deve essere utilizzato per altri scopi e non deve essere modificato o manomesso per alcun motivo. Ogni altro uso è da considerarsi improprio e quindi pericoloso. Il costruttore non può essere considerato responsabile per eventuali danni derivanti da usi impropri, erronei ed irragionevoli.

NORMATIVE

- Il produttore dichiara che il prodotto a cui si riferisce il presente libretto è stato realizzato in conformità alle direttive comunitarie come indicato nella dichiarazione di conformità allegata al presente.

IDENTIFICAZIONE DEI COMPONENTI (Fig. 1)

1. Corpo apparecchio
2. Serbatoio acqua
3. Coperchio serbatoio
4. Vano inserimento capsula
5. Leva apertura vano inserimento capsula
6. Bacinella raccogliocce e cassetto raccogli capsule
7. Griglia appoggiategge doppia altezza rimovibile
8. Spina alimentazione

COMANDI APPARECCHIO (Fig. 1)

9. Interruttore erogazione caffè lungo
10. Interruttore erogazione caffè corto
11. Lampada temperatura acqua
12. Lampada linea
13. Interruttore ON/OFF

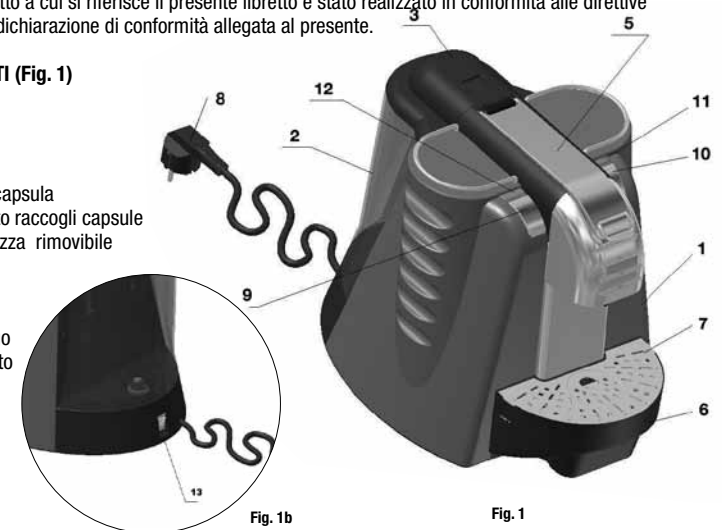


Fig. 1b

Fig. 1

PREPARAZIONE DELLA MACCHINA

Carico acqua

- Aprire il coperchio (3 Fig. 2) del serbatoio e versare acqua fredda nel serbatoio (2 Fig. 2) (massimo 1l), quindi riposizionare il coperchio (3 Fig. 2).



Collegamento elettrico

Prima di collegare elettricamente la macchina controllare che l'interruttore (12 Fig. 1) sia in posizione "OFF".

- Collegare elettricamente la macchina inserendo la spina (8 Fig. 1) nella presa.

Primo avviamento

Al primo utilizzo dell'apparecchio o se lo stesso non viene utilizzato da molto tempo è necessario effettuare le seguenti operazioni:

- Rimuovere il serbatoio (2 Fig. 3) dalla macchina, lavarlo accuratamente con acqua e rimontarlo in macchina avendo cura di riposizionarlo nella propria sede.
- Controllare che la leva (5 Fig. 4) sia abbassata, quindi posizionare una tazza sulla griglia (7 Fig. 4).
- Premere l'interruttore (13 Fig. 1) e posizionarlo su "ON", la lampada (12 Fig. 1) si illumina.



Questa operazione è necessaria per assicurare il riempimento della caldaia.

Avviamento della macchina

- Controllare che nel serbatoio (2 Fig. 1) vi sia acqua a sufficienza per il fabbisogno, se non è così introdurre acqua come indicato nel paragrafo "Carico acqua".
- Premere l'interruttore (13 Fig. 1) su "ON", la lampada 12 si illumina indicando linea inserita.
- Automaticamente si inserisce il riscaldamento dell'acqua contenuta nella caldaia.
- Attendere il raggiungimento della temperatura dell'acqua indicata dall'accensione della lampada (11 Fig. 1).

PREPARAZIONE DEL CAFFÈ

- Aprire il vano d'inserimento capsula (4 Fig. 1) sollevando la leva (5 Fig. 5).
- Posizionare una capsula (14 Fig. 5) nella feritoia di inserimento della capsula (4 Fig. 5).
- Abbassare la leva (5 Fig. 5) in posizione di chiusura.
- Attendere il raggiungimento della temperatura dell'acqua indicata dall'accensione della lampada (11 Fig. 1).
- Posizionare sulla griglia (7 Fig. 4) una tazza e premere l'interruttore (9 o 10 Fig. 1) per iniziare a erogare il caffè. Quando la dose di caffè ha raggiunto la quantità programmata, l'erogazione si fermerà automaticamente.
- Terminata l'erogazione se si desidera effettuare una nuova erogazione sollevare la maniglia (5 Fig. 5) in posizione aperta, inserire una nuova capsula, automaticamente la capsula usata verrà scaricata nel cassetto raccogli capsule (6 Fig. 4)

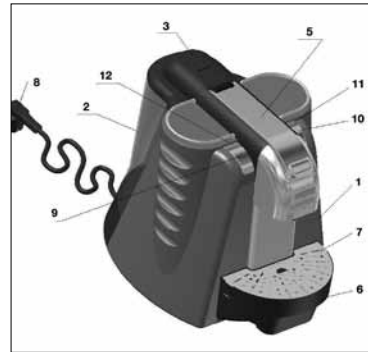


Fig. 1

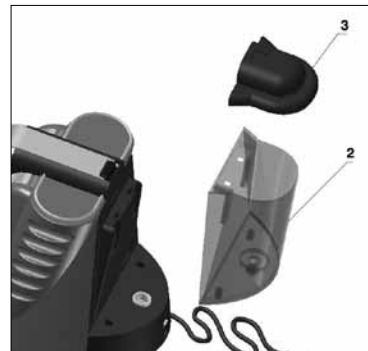


Fig. 2

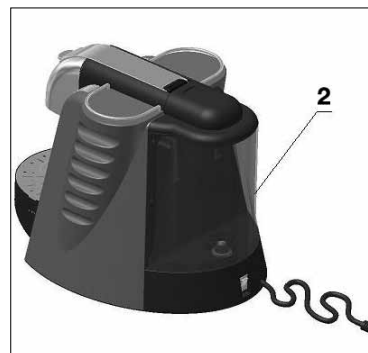


Fig. 3

NOTA: Alla fine delle erogazioni di caffè lasciare sempre chiuso il vano porta capsula (4 Fig. 5) leva (5 Fig. 4) in posizione "Chiusa".



Il cassetto porta capsule (6 Fig. 6) può contenere massimo 15 capsule e poi deve essere assolutamente scaricato estraendolo verso l'esterno.
Si consiglia dopo 6-8 erogazioni di caffè di scaricare le capsule contenute nel cassetto (6 Fig. 1).

PROGRAMMAZIONE DOSI

- 1.) Tenendo premuto il tasto caffè lungo (9 Fig. 1) accendere la macchina premendo l'interruttore (13 Fig. 1) posizionandolo su "ON", la lampada (12 Fig. 1) inizierà a lampeggiare velocemente.
- 2.) Aprire il vano d'inserimento capsula (4 Fig. 1) sollevando la leva (5 Fig. 5).
- 3.) Posizionare una capsula (14 Fig. 5) nella feritoia di inserimento della capsula (4 Fig. 5).
- 4.) Abbassare la leva (5 Fig. 5) in posizione di chiusura
- 5.) Mantenere premuto il tasto della bevanda che si vuole programmare e rilasciarlo solo al raggiungimento della lunghezza della dose desiderata.
- 6.) Ripetere la stessa operazione per la programmazione dell'altro tasto
- 7.) Per confermare l'operazione di programmazione spegnere e riaccendere la macchina (interruttore 13 Fig. 1)



PULIZIA

Prima di effettuare l'operazione di pulizia, disinserire SEMPRE la spina (8 Fig. 1) dalla presa di corrente.

- Per la pulizia del corpo apparecchio (1 Fig. 1) usare un panno umido evitando l'impiego di detersivi abrasivi.
Non immergere mai il corpo apparecchio (1 Fig. 1) in acqua o altri liquidi.
Non lavare mai il corpo apparecchio (1 Fig. 1) in lavastoviglie.
- Rimuovere la griglia (7 Fig. 1) e la bacinella (6 Fig. 1), scaricare le eventuali capsule presenti e lavarli con normali detersivi per stoviglie.
- Periodicamente rimuovere il serbatoio acqua (2 Fig. 3) e sciacquarlo con acqua pulita quindi riposizionarlo correttamente.

OPERAZIONI DI DECALCIFICAZIONE

- Effettuare periodicamente la decalcificazione della macchina.



La frequenza di questa operazione dipende dal grado di durezza dell'acqua utilizzata.

- Immettere nel serbatoio (2 Fig. 1) una dose di soluzione decalcificante liquida (attenersi alle indicazioni del produttore).



Utilizzare solo soluzioni adatte a macchine per caffè espresso.

- Controllare che ci sia una capsula posizionata nel vano porta capsule (4 Fig. 1)
- Abbassare la leva (5 Fig. 1).
- Avviare la macchina come indicato nel paragrafo "Avviamento della macchina".
- Posizionare sulla griglia (7 Fig. 1) un contenitore della capacità di circa 500 cc.
- Erogare 3-4 volte acqua calda premendo il pulsante (9 Fig. 1).

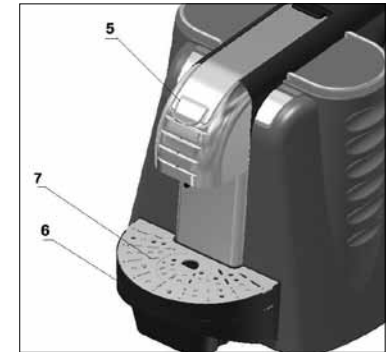


Fig. 4

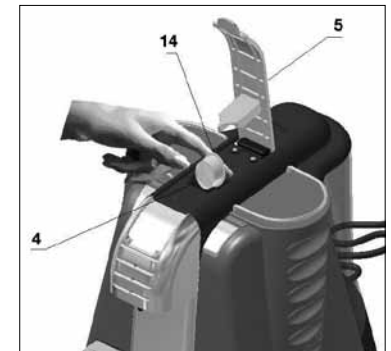


Fig. 5

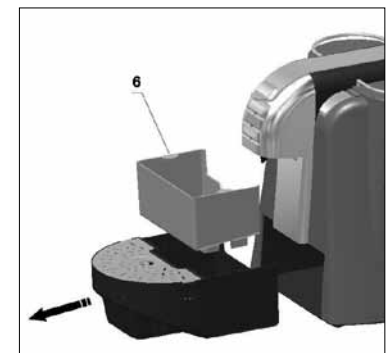


Fig. 6



Ad operazione ultimata, per rimuovere i residui della soluzione dal circuito, ripetere le operazioni sopra descritte impiegando solo acqua pulita. Sciacquare accuratamente il serbatoio (2 Fig. 1) ed asciugarlo prima di riutilizzare la macchina.

GUIDA ALLA SOLUZIONE DI ALCUNI PROBLEMI

.Nel caso si verificasse un problema di funzionamento si consiglia di effettuare i semplici controlli indicati di seguito.

.Nel caso il problema non rientri tra quelli elencati o, pur operando la soluzione consigliata, lo stesso persiste, rivolgersi presso un rivenditore autorizzato.

SMANTELLAMENTO

- La messa in disuso della macchina va effettuata da personale autorizzato. La pressione del circuito idraulico deve essere abbassata completamente, il cavo di alimentazione deve essere scollegato e le sostanze potenzialmente dannose per l'ambiente devono essere smaltite legalmente e correttamente.
- Gli apparecchi elettrici non possono essere gettati come rifiuti urbani ma devono essere smaltiti secondo le norme in vigore.
- Contattare il comune locale per informazioni sui sistemi di raccolta differenziata.
- Non gettare i componenti elettrici nell'ambiente in quanto le sostanze nocive possono essere rilasciate e assorbite dall'acqua del terreno contagiando la catena alimentare e danneggiando la Vosta salute.
- Al cambio dei vecchi apparecchi con i nuovi il venditore è legalmente obbligato a ritirare gratuitamente il vecchio apparecchio per lo smaltimento.
- Conservare la macchina fuori dalla portata di bambini o persone non responsabili.
- Per lo smantellamento come rifiuto consegnare la macchina ad un centro autorizzato per il riciclaggio di apparecchiature elettriche ed elettroniche (*). Questo per impedire eventuali danni all'ambiente o all'uomo. Per ulteriori informazioni sul riciclaggio contattare gli uffici del comune di appartenenza, il servizio per lo smaltimento dei rifiuti domestici o il rivenditore.
- Non disperdere nell'ambiente. Etichetta apposta sulla macchina come identificazione della Direttiva WEEE (2002/96/CE) sui Rifiuti di Apparecchiature Elettriche ed Elettroniche, destinate al mercato Europeo.

AVVERTENZE SUPPLEMENTARI

- Se il cavo di alimentazione dell'apparecchio è danneggiato, deve essere sostituito dal costruttore o dal suo rivenditore autorizzato, oppure da personale qualificato per evitare qualsiasi tipo di incidente. Questo apparecchio non è destinato ad essere utilizzato da persone (compresi i bambini) che abbiano delle capacità fisiche, sensoriali o mentali ridotte, o che manchino d'esperienza o di conoscenza, prima di avere ricevuto le istruzioni per il funzionamento e che abbiano la supervisione di una persona responsabile della loro sicurezza. I bambini devono essere sorvegliati per assicurarsi che non giochino con l'apparecchio. Questo apparecchio è destinato ad un uso domestico o in applicazioni similari del tipo: nelle cucine del personale in negozi, in uffici o in altri ambienti di lavoro; nelle aziende agricole; dai clienti in hotel, motel o in altri ambienti di tipo residenziale, negli ambienti di tipo bed and breakfast.
- In caso di incompatibilità tra la presa e la spina dell'apparecchio fare sostituire la presa con altra di tipo adatto da personale professionalmente qualificato che dovrà anche accertarsi che la sezione dei cavi della presa sia idonea alla potenza assorbita dall'apparecchio. È sconsigliabile l'uso di adattatori, prese multiple e/o prolunghe. Qualora il loro uso si rendesse indispensabile è necessario utilizzare solamente adattatori semplici o multipli e prolunghe conformi alle vigenti norme di sicurezza, facendo però attenzione a non superare il limite di portata.
- L'uso di un apparecchio elettrico comporta l'osservanza di alcune regole fondamentali.
In particolare:
 - non toccare né usare l'apparecchio con le mani bagnate o umide o a piedi nudi;
 - non permettere che l'apparecchio sia utilizzato come gioco da bambini;
 - non tirare il cavo di alimentazione o l'apparecchio stesso per staccare la spina dalla presa di corrente;
 - non permettere che l'apparecchio sia usato da bambini o da incapaci, senza sorveglianza.
- In caso di guasto e/o di cattivo funzionamento dell'apparecchio, spegnerlo e non manometterlo. Per l'eventuale riparazione rivolgersi solamente ad un rivenditore autorizzato. Il mancato rispetto di quanto sopra può compromettere la sicurezza dell'apparecchio.
- Se si decide di non utilizzare più questo apparecchio occorre renderlo inoperante tagliando il cavo di alimentazione dopo aver staccato la spina dalla presa di corrente. Si raccomanda, inoltre, di rendere innocue quelle parti dell'apparecchio suscettibili di costituire un pericolo, specialmente per i bambini che potrebbero servirsi dell'apparecchio fuori uso

per i propri giochi.

- L'installazione deve essere effettuata secondo le istruzioni del costruttore. Un'installazione non corretta può causare danni a persone, animali o cose, nei confronti dei quali il costruttore non può essere considerato responsabile.
- Per evitare surriscaldamenti pericolosi, si raccomanda di svolgere per tutta la sua lunghezza il cavo di alimentazione e di utilizzare l'apparecchio come consigliato nel paragrafo "Avvertenze d'uso".
- Se il cavo di alimentazione di questo apparecchio è danneggiato, deve essere sostituito esclusivamente dal rivenditore autorizzato.
- Il costruttore non può essere considerato responsabile per eventuali danni a persone, animali o cose derivanti da un uso improprio ed irragionevole dell'apparecchio e, per riparazioni eseguite da persone non qualificate.

INCONVENIENTE	POSSIBILE CAUSA	POSSIBILE RIMEDIO
L'apparecchio non si avvia	La spina non è inserita correttamente nella presa di corrente.	Verificare il corretto inserimento della spina nella presa di corrente.
Il caffè è troppo freddo.	La macchina non è pronta.	Attendere il raggiungimento della temperatura dell'acqua indicata dall'accensione della lampada
L'erogazione del caffè non avviene o avviene troppo lentamente.	Mancanza acqua nel serbatoio.	Controllare che il livello dell'acqua nel serbatoio sia regolare e in caso riempire con acqua naturale fresca.

Chère Madame, Cher Monsieur,

Nous nous félicitons avec vous pour avoir choisi une machine à café SAMCO FANTASTICA.

Votre nouvelle machine, dotée des composants les plus innovateurs garantis par le Know-how et l'expérience Italienne, est construite et mise au point avec les méthodes les plus avancées de la recherche et de la technique moderne, pour Vous garantir qualité, fiabilité, dans le respect le plus profond de l'environnement.

Avant d'utiliser cet appareil, nous Vous invitons à lire attentivement le présent "livret d'instructions pour l'emploi", afin d'en optimiser les caractéristiques fonctionnelles et éliminer n'importe quel inconvénient, qui pourrait surgir d'un emploi erroné ou non conforme de celui-ci.

CARACTERISTIQUES TECHNIQUES

- Tension V 230/240
- Fréquence Hz 50/60
- Puissance nominale W 1200
- Dimensions (LxDxH): 27 x 38 x 28 cm.
- Capacité exacte du réservoir L 1,2
- Poids (approximatif) kg 5

**AVERTISSEMENTS POUR L'EMPLOI**

Lire attentivement les avertissements contenus dans les présentes instructions, parce qu'elles fournissent des indications importantes, concernant la sécurité d'installation, d'emploi et d'entretien. Conserver soigneusement ce livret pour toute ultérieure consultation.

- Avant chaque utilisation vérifier l'intégrité mécanique de l'appareil dans tous ses composants. Le corps de l'appareil, le couvercle du réservoir, le réservoir et le groupe porte-dosette ne doivent pas présenter de ruptures ou de fêlures. La gaine et la fiche du câble d'alimentation ne doivent pas mettre en évidence des craquelures ou des ruptures. Quand ce que l'on a décrit ci-dessus se vérifie, débrancher immédiatement la fiche de la prise de courant et porter l'appareil auprès d'un revendeur autorisé pour les vérifications nécessaires.
- On recommande d'alimenter l'appareil à travers un interrupteur différentiel (RCD) avec un courant d'intervention non supérieur à 30 mA.
- Ne laisser pas le câble d'alimentation électrique à la portée des enfants.
- Avant d'insérer la fiche dans la prise de courant au mur, assurez-vous que l'appareil soit éteint.
- La sécurité électrique de cet appareil est garantie seulement, lorsqu'il est branché à une installation de mise à terre efficace comme cela est prévu par les normes de sécurité en vigueur. Faire vérifier cette importante condition requise par un personnel professionnellement qualifié. Le constructeur ne peut pas être considéré responsable pour des dommages causés par l'absence de mise à terre.
- Avant de brancher électriquement l'appareil, contrôler que le réseau d'alimentation électrique corresponde à celui de l'appareil.
- Il est interdit d'utiliser des câbles volants ou des prolonges non homologuées pour alimenter électriquement l'appareil.
- Avant d'utiliser l'appareil, enlever toutes les éventuelles pellicules de protection des parois externes du corps de l'appareil.
- Au moment de la première utilisation, il pourrait y avoir une émission d'odeur causée par les matériaux d'isolement et des éléments réchauffant. Cet inconvénient disparaît après quelques minutes.

**Ne laisser pas l'appareil sans eau dans le réservoir.**

- Ne jamais immerger l'appareil, le câble d'alimentation et la fiche dans l'eau ou dans d'autres liquides.
- Maintenir le câble d'alimentation loin des parties chaudes de l'appareil.
- Pendant le fonctionnement, la prise de courant doit être facilement accessible, dans le cas où il serait nécessaire de débrancher l'appareil.
- Éviter de débrancher l'appareil en tirant le câble d'alimentation.
- Ne déplacer pas l'appareil, lorsqu'il est en fonction.
- Ne pas utiliser ou placer la machine à l'extérieur ou à proximité de l'eau.
- Après chaque utilisation débrancher toujours la fiche de la prise de courant.
- Pour aucun motif, n'enlever pas les carters de l'appareil.



Ne laisser pas l'appareil dans des milieux où la température est égale ou inférieure à 0°C. Si l'on entend laisser la machine inactive pendant une période de temps plutôt long, vider le réservoir de l'eau.

- Cet appareil ne doit pas être utilisé par les enfants, les invalides, etc. sans une étroite surveillance, ou par des personnes, qui de toute façon n'ont pas été instruites d'une manière adéquate pour l'utilisation de l'appareil et pour la compréhension des dangers dérivant d'un emploi incorrect.
- Ne pas utiliser l'appareil avec les pieds nus et les mains mouillées.
- Débrancher toujours la fiche de la prise de courant, avant de procéder au nettoyage de l'appareil et avant d'effectuer n'importe quel type d'opération.

**SECURITE DE L'OPERATEUR**

- Ne pas toucher les parties chaudes immédiatement après l'emploi de l'appareil. Danger de brûlure.
- Pendant la distribution de la boisson faire attention à d'éventuelles giclées de liquide chaud.
- Ne pas soulever la cage porte-capsule pendant la distribution de la boisson.

DEBALAGE ET POSITIONNEMENT

- Enlever la machine de l'emballage et contrôler que soient présents tous les composants et qu'ils ne présentent pas de ruptures.



Les éléments de l'emballage (carton, cellophane, agrafes de métal, etc.) peuvent couper ou blesser, s'ils ne sont pas maniés attentivement ou s'ils sont utilisés d'une manière erronée; tenir loin de la portée des enfants ou des personnes inadéquates.

- Positionner l'appareil sur une superficie plane, régulière, stable, thermorésistante et adéquate au poids de l'appareil.
- Ne pas installer, ni utiliser l'appareil près de tentures, ou d'autre matériau inflammable, et ne posez aucun objet sur l'appareil pendant son emploi.
- Ne positionner pas l'appareil au-dessus ou dans les immédiates proximités d'un four traditionnel ou d'autres appareils, qui produisent de la chaleur (par exemple radiateur, etc.).
- S'assurer qu'il y ait suffisamment d'espace autour de l'appareil pour une ventilation correcte.

EMPLOI CORRECT

- Cet appareil a été projeté pour produire du café expresso (au moyen de capsules), exclusivement pour un emploi domestique. Il ne doit pas être utilisé pour d'autres buts et il ne doit pas être modifié, ou altéré, pour aucun motif. Tout autre emploi est à considérer impropre et, par conséquent, dangereux. Le constructeur ne peut pas être considéré responsable pour d'éventuels dommages dérivant d'emplois impropres, erronés et irraisonnés.

REGLEMENTATION

- Le producteur déclare que le produit, auquel se réfère le présent livret, a été réalisé en conformité avec les directives communautaires comme l'indique la déclaration de conformité qui y est jointe.

IDENTIFICATION DES COMPOSANTS (Fig. 1)

1. Corps de l'appareil
2. Réservoir de l'eau
3. Couvercle du réservoir
4. Compartiment insertion capsule
5. Levier d'ouverture du compartiment d'insertion de la capsule
6. Bac collecteur de gouttes et bac de récupération des capsules
7. Grille d'appui des tasses amovible a double hauteur
8. Fiche d'alimentation

COMMANDES DE L'APPAREIL (Fig. 1)

9. Interrupteur de la distribution du café long
10. Interrupteur de la distribution du café court
11. Voyant de température de l'eau
12. Voyant de la ligne
13. Interrupteur ON/OFF

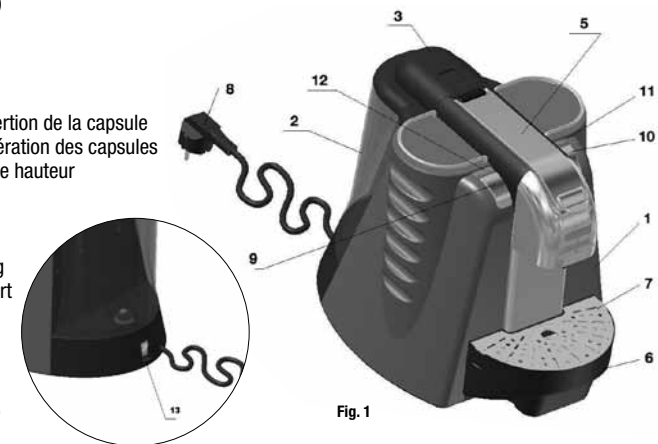


Fig. 1b

Fig. 1

PREPARATION DE LA MACHINE

Chargement de l'eau

- Ouvrez le couvercle (3 Fig. 2) du réservoir et verser de l'eau froide dans le réservoir (2 Fig. 2) (maximum 1l), ensuite repositionner le couvercle (3 Fig. 2).



Connexion électrique

Avant de brancher électriquement la machine, contrôler que l'interrupteur (13 Fig. 1) soit en position "OFF".

- Brancher électriquement la machine, en insérant la fiche (8 Fig. 1) dans la prise.

Première mise en marche

Lors de la première utilisation de l'appareil, ou bien s'il n'est pas utilisé depuis très longtemps, il est nécessaire d'effectuer les opérations suivantes:

- Enlever le réservoir (2 Fig. 3) de la machine, le laver soigneusement avec de l'eau et remonter-le dans la machine, en ayant soin de le repositionner dans son propre emplacement.
- Contrôler que le levier (5 Fig. 4) soit baissé, puis positionner une tasse sur la grille (7 Fig. 4).
- Pousser l'interrupteur (13 Fig. 1) et positionner-le sur "ON", le voyant (12 Fig. 1) s'allume.



Cette opération est nécessaire pour garantir le remplissage de la chaudière.

Mise en marche la machine

- Contrôler qu'il y ait suffisamment d'eau dans le réservoir (2 Fig. 1) pour les besoins; s'il n'en est pas ainsi, mettre de l'eau comme cela est indiqué dans le paragraphe "Chargement de l'eau".
- Pousser l'interrupteur (13 Fig. 1) sur "ON", le voyant 12 s'allume, en indiquant que la ligne est insérée.
- Automatiquement le réchauffement de l'eau contenue dans la chaudière s'insère.
- Attendre l'obtention de la température de l'eau signalée par l'allumage du témoin (11 Fig. 1).

PREPARATION DU CAFE

- Ouvrir le compartiment d'insertion de la capsule (4 Fig. 1) en soulevant le levier (5 Fig. 5).
- Positionner une capsule (14 Fig. 5) dans le compartiment d'insertion de la capsule (4 Fig. 5).
- Baisser le levier (5 Fig. 5) en position fermée.
- Attendre l'obtention de la température de l'eau signalée par l'allumage du témoin (11 Fig. 1).
- Positionner sur la grille (7 Fig. 4) une tasse et pousser l'interrupteur (9 ou 10 Fig. 1) pour commencer à distribuer le café. Après avoir atteint la quantité programmée, la distribution du café s'arrêtera automatiquement.
- Lorsque la distribution est terminée, si l'on désire effectuer une nouvelle distribution, soulever la poignée (5 Fig. 5) en position ouverte et insérer une nouvelle capsule, automatiquement la capsule usée sera déchargée dans le bac de récupération (6 Fig. 4).



NOTE: à la fin des distributions de café, laisser le compartiment d'insertion de la capsule toujours fermée (4 Fig. 5) le levier (5 Fig. 4) en position fermée.

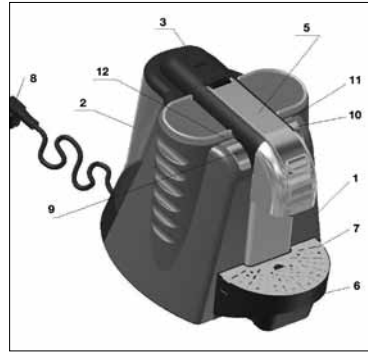


Fig. 1

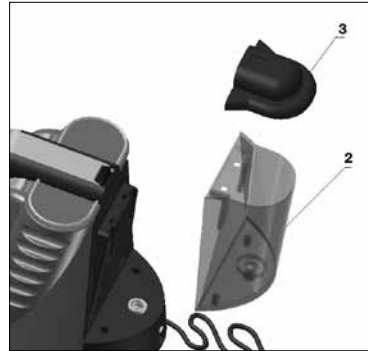


Fig. 2

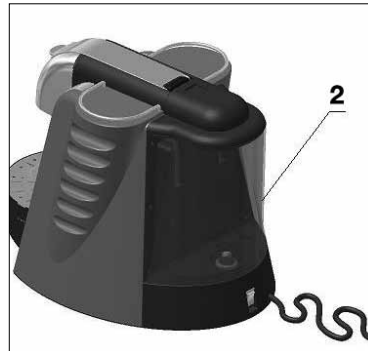


Fig. 3

Le bac de récupération des capsules (6 Fig. 6) peut contenir un maximum de 15 capsules et ensuite il doit être absolument déchargé en l'extrayant vers l'externe.

Après 6-8 distributions de café, on conseille de vider les capsules contenues dans le bac de récupération (6 Fig. 1).

PROGRAMMATION DES DOSES

- Maintenir pressé le bouton "café long" (9 Fig. 1) allumer la machine en appuyant sur l'interrupteur (13 Fig. 1) en le positionnant sur « on », le voyant (12 Fig. 1) clignotera rapidement.
- Ouvrir le compartiment d'insertion de la capsule (4 Fig. 1) en soulevant le levier (5 Fig. 5).
- Positionner une capsule (13 Fig. 5) dans le compartiment d'insertion de la capsule (4 Fig. 5).
- Baisser le levier (5 Fig. 5) en position fermée.
- Maintenir pressé le bouton de la boisson que vous voulez programmer et le relâcher seulement quand la longueur de la dose désirée est atteinte.
- Répéter la même opération pour la programmation de l'autre Bouton.
- Pour confirmer l'opération de programmation, éteindre et rallumer la machine (Interrupteur 13 Fig. 1)



NETTOYAGE

Avant d'effectuer l'opération de nettoyage, débrancher TOUJOURS la fiche (8 Fig. 1) de la prise de courant.

- Pour le nettoyage du corps de l'appareil (1 Fig. 1) employer un chiffon humide en évitant l'emploi de détergents abrasifs.



Ne jamais immerger le corps de l'appareil (1 Fig. 1) dans de l'eau ou d'autres liquides. Ne jamais laver le corps de l'appareil (1 Fig. 1) dans un lave-vaisselle.

- Enlever la grille (7 Fig. 1) et le bac (6 Fig. 1), décharger les éventuelles capsules présentes et les laver avec des détergents normaux pour la vaisselle.
- Périodiquement enlever le réservoir de l'eau (2 Fig. 3) et le rincer avec de l'eau propre, puis le repositionner correctement.

OPERATIONS DE DECALCIFICATION

- Effectuer périodiquement la décalcification de la machine.



La fréquence de cette opération dépend du degré de dureté de l'eau utilisée.

- Mettre dans le réservoir (2 Fig. 1) une dose de solution décalcifiante liquide (s'en tenir aux indications du producteur).



Utiliser seulement des solutions appropriées pour les machines à café expresso.

- Contrôler qu'il y ait une capsule dans le groupe (4 Fig. 1).
- Baisser le levier (5 Fig. 1).
- Mettre en marche la machine, comme on l'indique dans le paragraphe "Mise en marche de la machine".
- Positionner sur la grille (7 Fig. 1) un récipient d'une capacité de 500 cc environ.
- Distribuer 3-4 fois de l'eau chaude en poussant le bouton (9 Fig. 1).

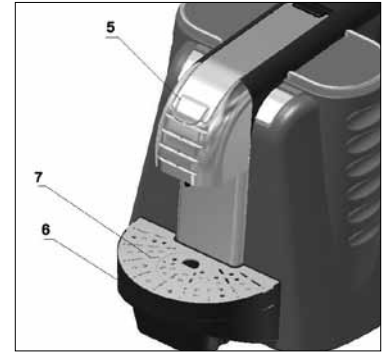


Fig. 4

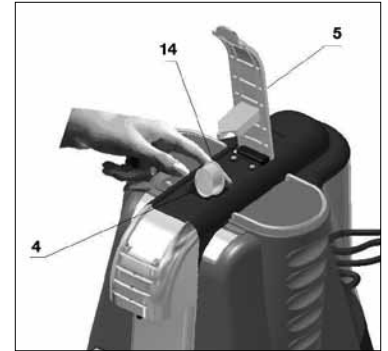


Fig. 5

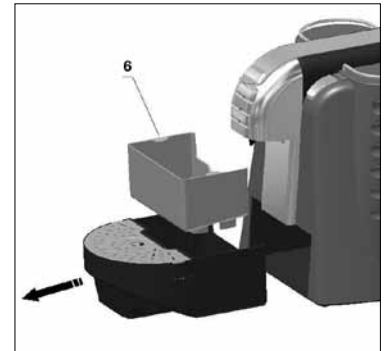


Fig. 6



Une fois l'opération terminée, pour enlever les résidus de la solution du circuit, répéter les opérations décrites ci-dessus en employant seulement de l'eau propre.

Rincer soigneusement le réservoir (2 Fig.1) et l'essuyer avant de réutiliser la machine.

GUIDE A LA SOLUTION DE CERTAINS PROBLEMES

Dans le cas se vérifierait un problème de fonctionnement, on conseille d'effectuer les simples contrôles indiqués de suite. Si le problème de rentre pas parmi ceux énumérés ou , tout en effectuant la solution conseillée, si ce problème persiste, s'adresser auprès d'un revendeur autorisé.

DEMANTELLEMENT

- La mise en non emploi de la machine doit être effectuée par un personnel autorisé. La pression du circuit hydraulique doit être abaissée complètement, le câble d'alimentation doit être débranché et les substances potentiellement nuisibles pour l'environnement doivent être éliminées légalement et correctement.
- Ne déposez pas les appareils électroménagers dans les ordures ménagères non trillées, utilisez les services spéciaux de collecte.
- Contactez les autorités locales pour avoir les informations concernant les systèmes spécialisés de collecte dans votre localité
- Si les appareils électroménagers ont été déposés dans les champs ou dans les décharges non autorisées, les substances toxiques peuvent s'infiltrer et passer aux nappes phréatiques contaminant de cette façon la chaîne alimentaire et nuisant votre santé et bien-être
- Quant vous remplacez vos appareils électroménagers anciens par de nouveaux, le revendeur est obligé légalement de recevoir gratuitement les vieux appareils électroménagers pour les recycles.
- Conserver la machine hors de la portée des enfants ou de personnes non responsables.
- Pour le démantèlement comme déchet consigner la machine à un centre autorisé pour le recyclage des appareillages électriques et électroniques (*). Et cela pour empêcher d'éventuels dommages à l'environnement ou à l'homme. Pour d'ultérieures informations sur le recyclage contacter les bureaux de la commune d'appartenance, le service pour l'élimination des déchets domestiques ou le revendeur.
- Ne pas disperser dans l'environnement.

Etiquette apposée sur la machine comme identification de la Directive WEEE (2002/96/CE) sur les Déchets d'Appareillages Electriques et Electroniques, désignée au marché européen.

AVERTISSEMENTS SUPPLEMENTAIRES

- Si le câble d'alimentation de cet appareil est endommagé, il doit être substitué par le producteur ou par son revendeur autorisé ou par du personnel qualifié pour éviter tout incident.
- Cet appareil n'est pas destiné à être utilisé par des personnes (y compris des enfants) avec des capacités physiques, sensorielles ou mentales réduites, ou un avec un manque d'expérience ou de savoir faire, avant d'avoir reçu les instruction pour le fonctionnement et avoir eu la supervision d' une personne responsable de leur sécurité.
- Les enfants doivent être surveillés pour s'assurer qu'ils ne jouent pas avec l'appareil.
- Cet appareil est destiné à un usage domestique ou dans des applications similaires tels quels: cuisines du personnel dans des magasins, bureaux ou autre environnement de travail; dans des exploitations agricoles ; par des clients dans des hôtels, motels ou autres environnements de type résidentiels; dans des environnements de type bed and breakfast.
- En cas d'incompatibilité entre la prise et la fiche de l'appareil, faire substituer la prise avec une autre d'un type approprié par un personnel professionnellement qualifié, qui devra aussi vérifier que la section des câbles de la prise soit appropriée à la puissance absorbée par l'appareil. On déconseille l'emploi d'adaptateurs, de prises multiples et/ou de prolonges.
- Si leur emploi se rendait indispensable, il est nécessaire d'utiliser seulement des adaptateurs simples, ou multiples, et des prolonges conformes aux normes de sécurité en vigueur; toutefois, attention à ne pas dépasser la limite de portée.
- L'emploi d'un appareil électrique comporte l'observance de certaines règles fondamentales.

En particulier:

- Ne pas toucher, ni employer l'appareil avec les mains mouillées ou humides, ou à pieds nus;
- Les enfants doivent être surveillés à fin de s'assurer qu'ils ne jouent pas avec l'appareil électroménager;
- Ne tirer pas le câble d'alimentation ou l'appareil pour débrancher la fiche de la prise de courant;
- Ne pas permettre, que l'appareil soit utilisé par des enfants ou des incapables, sans surveillance.

- En cas de panne et/ou de mauvais fonctionnement de l'appareil, l'éteindre et ne pas le trafiquer. Pour l'éventuelle réparation s'adresser seulement à un revendeur autorisé. Le non respect de ce que l'on vient de dire peut compromettre la sécurité de l'appareil.
- Si on décide de ne plus utiliser cet appareil, il faut le rendre inopérant en coupant le câble d'alimentation après avoir débranché la fiche de la prise de courant.

On recommande, en outre, de rendre inoffensives les parties de l'appareil susceptibles de constituer un danger, spécialement pour les enfants, qui pourraient se servir de l'appareil en dehors de son emploi pour leurs jeux.

- L'installation doit être effectuée selon les instructions du constructeur. Une installation non correcte peut causer des dommages aux personnes, animaux ou choses, à l'égard desquels le constructeur ne peut pas être considéré responsable.
- Pour éviter des surchauffes dangereuses, on conseille de dérouler sur toute sa longueur le câble d'alimentation et d'utiliser l'appareil, comme on le conseille dans le paragraphe "Avertissements pour l'emploi".
- Si le câble d'alimentation de cet appareil est endommagé, il doit être substitué exclusivement par le revendeur autorisé.
- Le constructeur ne peut pas être considéré responsable pour d'éventuels dommages aux personnes, animaux ou choses dérivant d'un emploi impropre et irraisonnable de l'appareil, et pour des réparations effectuées par des personnes non qualifiées.

INCONVENIENT	CAUSE POSSIBLE	REMEDE POSSIBLE
L'appareil ne se met pas en marche.	La fiche n'est pas branchée correctement dans la prise de courant.	Vérifier l'insertion correcte de la fiche dans la prise de courant.
Le café est trop froid.	La machine n'est pas prête.	Attendre l'obtention de la température signalée par le voyant lumineux.
La distribution du café n'a pas lieu ou a lieu trop lentement.	Not enough water in the tank	Contrôler que le niveau de l'eau dans le réservoir soit régulier et, si c'est le cas, remplir avec de l'eau naturelle fraîche.

Lieber Kunde, liebe Kundin,

wir gratulieren Ihnen zur Wahl einer Kaffeemaschine SAMCO FANTASTICA.

Ihre neue, mit den neuesten innovativen Komponenten ausgestattete Maschine, die durch das Know-how und die Erfahrung der Italianen gewährleistet sind, wurde mit den modernsten Methoden der Forschung und der modernen Technik hergestellt und getestet, um Ihnen Qualität und Zuverlässigkeit bei voller Umweltfreundlichkeit zu garantieren.

Lesen Sie vor dem Gebrauch der Maschine aufmerksam das vorliegende „Benutzerhandbuch“, um sämtliche Funktionen optimal auszunutzen und um jede Unannehmlichkeit zu verhindern, die sich aus einer unsachgemäßen oder nicht konformen Handhabung derselben ergeben können.

TECHNISCHE DATEN

- Spannung V 230/240
- Frequenz Hz 50/60
- Leistungsaufnahme W 1200
- Maße (bxtxh) 27 x 38 x 28 cm.
- Tankkapazität L 1,2
- Gewicht (ca.) kg 5

**HINWEISE ZUM GEBRAUCH**

Lesen Sie aufmerksam die in vorliegendem Benutzerhandbuch aufgeführten Hinweise, da diese wichtige Angaben hinsichtlich einer sicheren Installation, Benutzung und Wartung enthalten. Bewahren Sie dieses Handbuch für zukünftige Konsultationen auf.

- Vor jeder Benutzung die Maschine in allen ihren Komponenten auf mechanische Unversehrtheit prüfen. Maschinengehäuse, Behälterdeckel, Behälter, Filterträger für die Kapseln dürfen keine Beschädigungen oder Risse aufweisen. Isoliermantel und Stecker des Stromkabels dürfen keine Risse oder Beschädigungen aufweisen. Sollten obige Mängel vorliegen, den Stecker auf der Stelle aus der Steckdose ziehen und das Gerät bei einem autorisierten Händler überprüfen lassen.
- Es wird empfohlen, das Gerät über einen Differentialschalter (RCD) mit einem Nennfehlerstrom von maximal 30 mA zu versorgen.
- Elektrokabel für Kinder unerreichbar verlegen.
- Vor dem Einführen des Steckers in die Wandsteckdose sicherstellen, dass das Gerät abgeschaltet ist.
- Die elektrische Sicherheit dieses Geräts ist nur gewährleistet, wenn es entsprechend den geltenden Sicherheitsbestimmungen an eine effiziente Erdungsanlage angeschlossen ist.
- Vor dem elektrischen Anschluss des Geräts sicherstellen, dass das elektrische Versorgungsnetz den Gerätedaten entspricht.
- Es ist verboten, lose herumliegende oder nicht zugelassene Verlängerungen zur elektrischen Stromversorgung des Geräts zu verwenden.
- Vor Benutzung des Geräts alle eventuellen Schutzfolien von den Außenflächen des Gerätegehäuses entfernen.
- Im Moment der Erstinbetriebnahme kann Geruchsbildung auftreten, die durch die Isoliermaterialien oder die Heizelemente verursacht wird. Diese Unannehmlichkeit dauert nur einige Minuten.



Lassen Sie das Gerät nicht ohne Wasser im Behälter.

- Gerät, Stromkabel und Stecker auf keinen Fall in Wasser oder andere Flüssigkeiten eintauchen.
- Stromkabel fern von den heißen Maschinenteilen halten.
- Während des Betriebs muss das Stromkabel leicht zugänglich sein für den Fall, dass ein Trennen der Maschine von der Stromversorgung notwendig ist.
- Maschine nicht durch Ziehen am Kabel von der Stromversorgung nehmen.
- Sich in Betrieb befindende Maschine nicht verstellen.
- Maschine nicht im Freien oder in der Nähe von Wasser benutzen oder aufstellen.
- Nach jeder Benutzung stets den Stecker aus der Steckdose ziehen.
- Auf keinen Fall die Gehäuseabdeckungen abnehmen.



Maschine nicht in Umgebungen mit Temperaturen gleich oder unter 0°C aufbewahren. Wenn beabsichtigt wird, die Maschine über längere Zeit außer Betrieb zu lassen, den Wasserbehälter entleeren.

- Diese Maschine darf ohne strenge Aufsicht nicht von Kindern, Versehrten usw. oder von Personen bedient werden, die nicht mit der Bedienung der Maschine und mit den Gefahren einer unsachgemäßen Benutzung derselben vertraut sind.
- Maschine nicht mit nackten Füßen oder feuchten Händen handhaben.
- Vor jeder Reinigung der Maschine und vor jedem Eingriff an dieser stets den Stecker aus der Steckdose ziehen.

**SICHERHEIT DES BEDIENERS**

- Heiße Teile nicht unmittelbar nach Benutzung der Maschine berühren. Verbrennungsgefahr.
- Während des Austritts des Getränks auf eventuelle Spritzer der heißen Flüssigkeit achten.
- Während der Abgabe des Getränks nicht den Kapselbehälter heben.

AUSPACKEN UND POSITIONIERUNG

- Maschine aus der Verpackung nehmen und kontrollieren, dass alle Komponenten vorhanden sind und dass diese keine Beschädigungen aufweisen.



Die Verpackungselemente (Karton, Zellophan, Metallklammern usw.) können zu Schnitten oder Verletzungen führen, wenn man nicht vorsichtig damit umgeht oder wenn diese unsachgemäß verwendet werden; für Kinder oder nicht geeignete Personen unzugänglich aufbewahren.

- Maschine auf einer ebenen, gleichmäßigen, stabilen, wärmebeständigen und dem Gewicht der Maschine gerechten Fläche aufstellen.
- Die Maschine nicht in der Nähe von Vorhängen oder anderen entzündbaren Materialien installieren oder betreiben und während des Betriebs keine Gegenstände auf derselben abstellen.
- Die Maschine nicht auf oder in der Nähe eines herkömmlichen Ofens oder irgendeines Wärme produzierenden Geräts (z.B. Heizkörper usw.) abstellen.
- Sicherstellen, dass um die Maschine herum genügend freier Raum zur korrekten Belüftung vorhanden ist.

KORREKTE HANDHABUNG

- Diese Maschine wurde zur Produktion von espressokaffee (mittels Kapsel) zur ausschließlichen Benutzung zu Hause entwickelt. Diese darf weder für andere Zwecke verwendet noch verändert oder aus irgendwelchen Gründen auch immer unzulässigen Eingriffen ausgesetzt werden. Jede andere Verwendung ist als unsachgemäß und folglich gefährlich zu betrachten. Der Hersteller kann nicht für eventuelle Schäden haftbar gemacht werden, die aufgrund unsachgemäßer, falscher und unbedachter Verwendung verursacht werden.

BESTIMMUNGEN

- Der Hersteller erklärt, dass das in vorliegendem Benutzerhandbuch aufgeführte Produkt in Konformität mit den EU-Richtlinien hergestellt wurde, wie aus der diesem Benutzerhandbuch beigefügten Konformitätserklärung hervorgeht.

IDENTIFIZIERUNG DER KOMPONENTEN (Abb. 1)

1. Maschinengehäuse
2. Wasserbehälter
3. Behälterdeckel
4. Einlegefach der Kapseln
5. Öffnungshebel des Einlegefachs der Kapseln
6. Tropfenauffangwanne und Sammelfach Kapseln
7. Abnehmbarer Tassenabstellrost
8. Stecker für Stromanschluss

BEDIENELEMENTE DER MASCHINE (Abb. 1)

9. Schalter für die Verteilung des langen Kaffees
10. Schalter für die Verteilung des kurzen Kaffees
11. Wassertemperaturanzeige
12. Lampe Leitung
13. Schalter ON/OFF

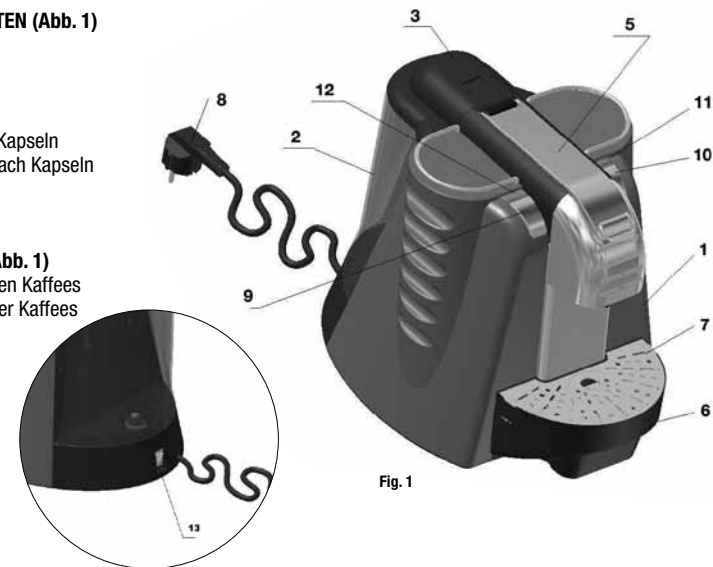


Fig. 1b

Fig. 1

MASCHINENVORBEREITUNG**Einfüllen des Wassers**

- Deckel des Behälters (3 Abb. 2) hocklappen und kaltes Wasser in den Behälter (2 Abb. 2) füllen (maximal 1 l), danach den Deckel wieder aufsetzen (3 Abb. 2).

**Elektrischer Anschluss**

Kontrollieren Sie vor dem elektrischen Anschluss der Maschine, ob der Schalter (13 Abb. 1) auf "OFF" steht.

- Maschine elektrisch durch Einstecken des Steckers (8 Abb. 1) in die Steckdose anschließen.

Erstinbetriebnahme

Bei Erstinbetriebnahme oder nach längerer Nichtverwendung ist es erforderlich, folgende Operationen vorzunehmen:

- Behälter (2 Abb. 3) aus der Maschine nehmen, gründlich mit Wasser waschen, wieder in die Maschine einsetzen und dabei darauf achten, dass dieser korrekt an seinem Sitz positioniert wird.
- Sicherstellen, dass der Hebel (5 Abb. 4) nach unten gestellt ist, dann eine Tasse auf den Rost stellen (7 Abb. 4).
- Schalter (13 Abb. 1) drücken und auf "ON" stellen, die Lampe (12 Abb. 1) leuchtet auf.



Diese Operation ist notwendig, um sicherzustellen, dass der Behälter gefüllt ist.

Einschalten der Maschine

- Sicherstellen, dass sich im Behälter (2 Abb. 1) eine für den Bedarf ausreichende Wassermenge befindet, ansonsten Wasser nachfüllen wie im Abschnitt "Einfüllen des Wassers" aufgeführt.
- Schalter (13 Abb. 1) auf "ON" stellen, die Lampe 12 leuchtet auf und bedeutet, dass die Maschine unter Strom steht.
- Die Erwärmung des sich im Kessel befindenden Wassers beginnt automatisch.
- Erreichen der Wassertemperatur abwarten, was durch das Abschalten der Lampe (11 Abb.1) angezeigt wird.

ZUBEREITUNG DES KAFFEES

- Öffnen des Einlegefachs der Kapseln (4 Fig.1) durch Anheben des Schalthebels (5 Fig.5)
- Positionieren einer Kapsel (14 Fig. 5) in das Einlegefach der Kapseln (4 Fig. 5)
- Den Hebel (5 Fig.5) in die Schließposition herunterdrücken.
- Erreichen der Wassertemperatur abwarten, was durch das Abschalten der Lampe (11 Abb.1) angezeigt wird.
- Positionieren einer Tasse auf das Ablagerost (7 Fig.4) und drücken des Schalters (9 oder 10 Fig.1) um mit der Ausgabe des Kaffees zu beginnen.
- Nach dem Erreichen der programmierten Menge, stellt sich die Kaffeeausgabe automatisch ein.
- Wenn die Ausgabe beendet ist und man eine erneute Ausgabe wünscht, den Haltegriff (5 Fig.5) auf Position «offen» anheben und eine neue Kapsel einlegen. Die bereits verwendete Kapsel wird automatisch in den Abfallbehälter (6 Fig.4) entsorgt.

Bemerkung: Am Ende der Kaffeeausgabe, verschließen Sie immer das Einlegefach der Kapseln (4 Fig. 5) und stellen Sie den Hebel auf Verschlussposition (5 Fig. 4).

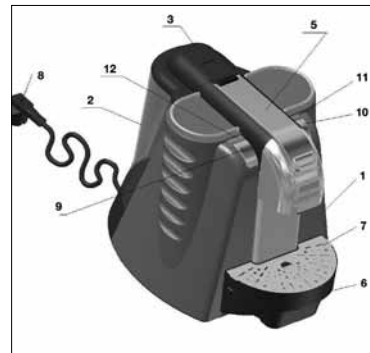


Fig. 1

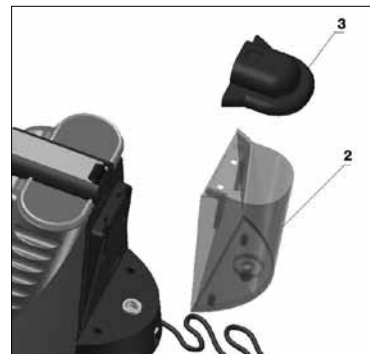


Fig. 2

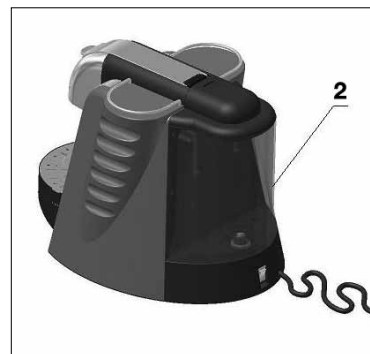


Fig. 3



Das Kapselfach (6 Abb.6) kann maximal 15 Kapseln aufnehmen und muss dann unbedingt durch Herausziehen geleert werden. Es wird empfohlen, nach 6-8 Kaffeeabgaben die im Fach enthaltenen Kapseln zu entleeren (6 Abb.1).

DOSIERUNG PROGRAMMIEREN

- 1) Drücken und halten Sie den Knopf «Langer Kaffee» (9 Abb. 1) gedrückt, schalten Sie die Maschine ein, indem Sie den Knopf (13 Abb. 1) auf «ON» stellen, die Lampe (12 Abb. 1) wird schnell blinken.
- 2) Öffnen Sie das Einlegefach (4 Abb. 1) für die Kapsel durch hochstellen des Hebels (5 Abb. 5).
- 3) Legen Sie eine Kapsel (13 Abb. 5) in das Einlegefach (5 Abb. 5).
- 4) Legen Sie den Hebel (5 Abb. 5) zum Schließen um auf die untere Stellung.
- 5) Drücken und halten Sie den Knopf für das Getränk das Sie programmieren möchten und lassen Sie den Knopf erst los, wenn die gewünschte Dosis erreicht ist.
- 6) Wiederholen Sie den Vorgang zur Programmierung des anderen Knopfes.
- 7) Um die Programmierung abzuschließen und zu bestätigen, schalten Sie die Maschine erst aus und dann wieder ein (Schalter 13 Abb. 1).

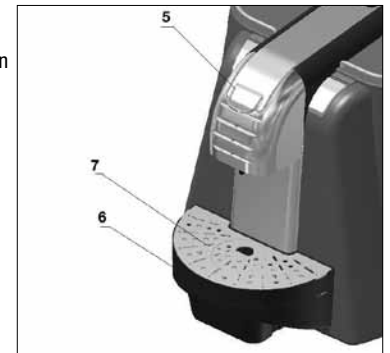


Fig. 4

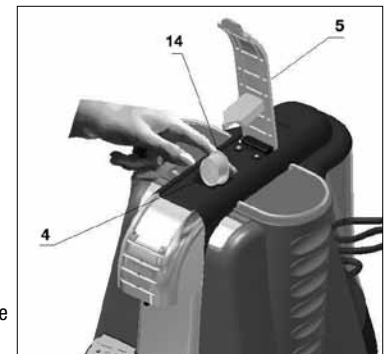


Fig. 5

REINIGUNG

Vor jedem Reinigen STETS den Stecker (8 Abb. 1) aus der Steckdose ziehen.

- Zur Reinigung des Maschinenkörpers (1 Abb. 1) ein feuchtes Tuch verwenden und scheuernde Reinigungsmittel vermeiden.



Auf keinen Fall den Maschinenkörper (1 Abb.1) in Wasser oder andere Flüssigkeiten tauchen. Den Maschinenkörper (1 Abb. 1) auf keinen Fall in der Geschirrspülmaschine waschen.

- Rost (7 Abb. 1) und Wanne (6 Abb. 1) entfernen, eventuell vorhandene Kapseln entleeren und mit normalem Reinigungsmittel für Geschirr reinigen.
- Wasserbehälter periodisch (2 Abb. 3) entnehmen, mit sauberem Wasser ausspülen und danach wieder korrekt einsetzen.

ENTKALKUNGSOPERATIONEN

- Periodisch die Maschine entkalken.



Die Häufigkeit dieser Operation hängt vom Härtegrad des verwendeten Wassers ab.

- In den Behälter (2 Abb. 1) eine Dosis Flüssigentkalker einfüllen (Herstellerangaben beachten).



Nur für Espressoautomaten vorgesehene Lösungen verwenden.

- Überprüfen ob eine Kapsel in der Gruppe ist (4 Fig.1).
- Hebel (5 Abb. 1) nach unten stellen.
- Maschine wie in Abschnitt "Einschalten der Maschine" starten.
- Auf dem Rost (7 Abb. 1) einen Behälter mit ca. 500 cc Volumeninhalt abstellen.
- 3-4 Mal Heißwasser durch Drücken der Taste (9 Abb. 1) abgeben.



Nach Beendigung der Operation zum Entfernen der Lösung aus dem Kreislauf die oben beschriebenen Operation unter ausschließlicher Verwendung von sauberem Wasser wiederholen.

Tank (2 Abb. 1) gründlich auswaschen und vor Wiederverwendung der Maschine trocknen.

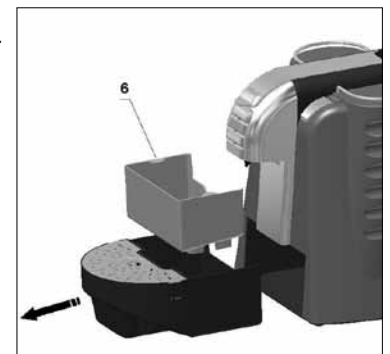


Fig. 6

HINWEISE ZUR LÖSUNG EINIGER PROBLEME

Sollte ein Funktionsproblem auftreten, wird empfohlen, nachfolgende einfache Kontrollen vorzunehmen. Sollte das aufgetretene Problem nachfolgend nicht aufgeführt sein, oder selbst bei Durchführung der empfohlenen Lösung, weiterhin bestehen, wenden Sie sich an einen autorisierten Händler.

ENTSORGUNG

- Die Außerbetriebnahme der Maschine muss von autorisiertem Fachpersonal durchgeführt werden. Der Druck im Hydraulikkreislauf muss vollständig abgelassen, das Stromversorgungskabel aus der Steckdose gezogen und die für die Umwelt schädlichen Stoffe müssen entsprechend den gesetzlichen Bestimmungen korrekt entsorgt werden.
- Entsorgen sie elektrische Geräte nicht im normalen Hausmüll, sondern am Wertstoffhof.
- Bitte informieren sie sich bei der entsprechenden Behörde für die ordnungsgemäße Entsorgung.
- Bei unsachgemäßer Entsorgung können gefährliche Stoffe ins Grundwasser gelangen und somit gesundheitsschädlich sein
- Bei Neukauf eines Gerätes ist der Händler verpflichtet ihr Altgerät zur Entsorgung zurückzunehmen
- Maschine für Kinder und nicht haftbar zumachende Personen unerreichbar aufbewahren.
- Im Fall der Entsorgung durch den Müll ist die Maschine zu einer speziellen Recyclinganlage für Elektro- und Elektronikmüll (*) zu bringen. Dies, um eventuelle Schäden an Mensch oder Umwelt zu vermeiden. Für weitere Informationen hinsichtlich des Recycling kontaktieren Sie die Gemeinde Ihres Herkunftsorts, den Dienst zur Entsorgung von Hausmüll oder Ihren Händler.
- Nicht in der Natur entsorgen.

Etikett auf der Maschine mit der Kennzeichnung der Richtlinie WEEE (2002/96/CE) für Müll, der aus elektrischen oder elektronischen Geräten besteht, die für den europäischen Markt bestimmt sind. (*)

ZUSÄTZLICHE HINWEISE

- Wenn die Anschlussleitung dieses Gerätes beschädigt ist, muss sie durch den Hersteller oder seinem Kundendienst oder eine ähnliche qualifizierte Person ersetzt werden, um Gefährdungen zu vermeiden.
- Personen (einschließlich Kinder), die aufgrund ihrer physischen, sensorischen oder geistigen Fähigkeiten oder ihrer Unerfahrenheit oder Unkenntnis nicht in der Lage sind, das Gerät sicher zu benutzen, sollten dieses Gerät nicht ohne Aufsicht oder Anweisung durch eine verantwortliche Person benutzen.
- Kinder sollten beaufsichtigt werden, um sicherzustellen, dass sie nicht mit dem Gerät spielen.
- Dieses Gerät ist für den Gebrauch im Haushalt und ähnlichen Anwendungen vorgesehen, z.B. :Küchenräume für Personal in Geschäften, Büros und anderen Arbeitsumgebunge, Bauernhäusern; Durch Gäste in Hotels, Motels und anderen häuslichen Umgebungen; Pensionen und Fremdenzimmern.
- Bei Inkompatibilität zwischen Steckdose und Stecker der Maschine den Stecker mit einem anderen geeigneten Stecker durch einen Fachmann auswechseln lassen, der sicherstellen muss, dass der Kabelquerschnitt der Steckdose geeignet für die aufgenommene Leistung der Maschine ist. Von der Verwendung von Adaptern, Mehrfachsteckdosen und/oder Verlängerungen wird abgeraten Sollte deren Verwendung unerlässlich sein, dürfen nur einfache Adapter oder Mehrfachadapter verwendet werden, die den geltenden Sicherheitsbestimmungen entsprechen, wobei darauf zu achten ist, dass die Leistungsgrenzen nicht überschritten werden.
- Die Verwendung eines Elektrogeräts erfordert die Beachtung einiger grundlegender Regeln.

Insbesondere:

- das Gerät nicht mit feuchten Händen oder nassen Füßen berühren;
- bitte achten sie darauf, daß Kinder nicht mit dem Elektrogerät spielen.
- Stecker nicht durch Ziehen am Stromkabel oder am Gerät selbst aus der Steckdose ziehen;
- verhindern, dass das Gerät ohne Aufsicht von Kindern oder nicht haftbar zu machenden Personen benutzt wird.

- Bei Beschädigung und/oder Funktionsstörungen am Gerät dieses abschalten und keine Eingriffe an diesem vornehmen. Bei eventuellen Reparaturen sich ausschließlich an einen autorisierten Händler wenden. Nichteinhaltung der oben aufgeführten Hinweise kann zu Beeinträchtigung der Sicherheit des Geräts führen.
- Wenn Sie entscheiden, das Gerät nicht mehr zu verwenden, ist dieses funktionsuntüchtig zu machen durch Durchschneiden des Stromkabels nachdem der Stecker aus der Steckdose gezogen wurde. Es wird außerdem empfohlen, diejenigen Teile des Geräts unschädlich zu machen, die eine Gefahr darstellen können, insbesondere für Kinder, die das sich außer Betrieb befindende Gerät zum Spielen verwenden könnten.
- Die Installation ist entsprechend den Herstellerhinweisen durchzuführen. Eine nicht korrekte Installation kann Schäden an Personen, Tieren oder Gegenständen verursachen, für die nicht der Hersteller haftbar gemacht werden kann.

- Um gefährliche Überhitzungen zu vermeiden, wird empfohlen, das Kabel in voller Länge auszurollen und das Gerät entsprechend den Hinweisen in Abschnitt "Gebrauchshinweise" zu verwenden.
- Wenn das Stromkabel des Gerätes beschädigt ist, darf es ausschließlich von einem autorisierten Händler ausgewechselt werden.
- Der Hersteller kann nicht für eventuelle Schäden an Personen, Tieren oder Gegenständen haftbar gemacht werden, die auf unsachgemäße oder unbedachte Verwendung des Geräts sowie auf von nicht qualifiziertem Personal durchgeführte Reparaturen zurückzuführen sind.

PROBLEME	URSACHEN	LÖSUNGEN
Maschine startet nicht.	Der Stecker ist nicht korrekt in die Steckdose eingesteckt.	Sicherstellen, dass der Stecker korrekt in die Steckdose eingesteckt wurde.
Kaffee ist zu kalt.	Maschine ist nicht betriebsbereit.	Erreichen der Temperatur am Kontrolllicht abwarten.
Keine oder zu langsame Abgabe des Kaffees.	Kein Wasser im Behälter.	Wasserstand im Behälter kontrollieren und wenn notwendig mit natürlichem kaltem Wasser auffüllen.



Amable Señora, Estimado Señor:

Felicitaciones por haber escogido una máquina para café SAMCO FANTASTICA.

Su nueva máquina, provista de los componentes más innovadores garantizados por el Know-how y la experiencia Italiana, ha sido construida y ensayada con los métodos más avanzados de investigación y de la técnica moderna para garantizar su calidad y fiabilidad, en el respeto más pro-fundo del medio ambiente.

Antes de utilizar esta máquina le invitamos a leer cuidadosamente el presente "manual de instrucciones para el uso", con el fin de optimizar las características funcionales y eliminar cualquier inconveniente que podría presentarse en caso de uso erróneo o inadecuado.

CARACTERÍSTICAS TÉCNICAS

- Tensión V 230/240
- Frecuencia Hz 50/60
- Potencia nominal: W 1200
- Dimensiones (LxDxH): 27 x 38 x 28 cm.
- Capacidad exacta del tanque: L 1,2
- Peso (aproximado) kg 5

ADVERTENCIAS PARA EL USO

Leer cuidadosamente las advertencias contenidas en las presentes instrucciones, puesto que proporcionan unas indicaciones importantes sobre seguridad de instalación, uso y mantenimiento. Conservar cuidadosamente este manual para cualquier consulta ulterior.

- Antes de utilizar el aparato, verificar la integridad mecánica del mismo en todos sus componentes. El cuerpo del aparato, la tapa del tanque, el tanque, el grupo y el vano de inserción de la cápsula de café, no deben presentar rupturas ni fisuras. La vaina y el enchufe del cable de alimentación no deben evidenciar agrietamientos ni rupturas. En caso de encontrar alguno de los defectos aquí descritos, desconectar enseguida el enchufe de la toma de corriente y llevar el aparato a un revendedor autorizado para los debidos controles.
- Se recomienda alimentar el aparato a través de un interruptor diferencial (RCD), cuya corriente de intervención que no supere los 30mA.
- No dejar el cable de alimentación eléctrica al alcance de los niños.
- Antes de conectar el enchufe en la toma de corriente de la pared, verificar que el aparato esté apagado.
- La seguridad eléctrica de este aparato se garantiza sólo cuando está conectado a una conexión a tierra eficiente, tal como previsto por las normas de seguridad vigentes. Hacer controlar este importante requisito por una persona profesionalmente calificada. El constructor no puede considerarse responsable por daños causados por la falta de conexión a tierra.
- Antes de conectar eléctricamente el aparato, controlar que la red de alimentación eléctrica corresponda a la del aparato.
- Se prohíbe utilizar cables sueltos o extensiones no-homologadas para alimentar eléctricamente el aparato.
- Antes de utilizar el aparato, remover todas las películas de protección de las partes externas del cuerpo del mismo.
- Al momento de la primera utilización podría haber emisión de olor causado por los materiales de aislamiento o los elementos de calentamiento. Este inconveniente desaparece a los pocos minutos.



No dejar el aparato sin agua en el tanque.

- No sumergir nunca el aparato, el cable de alimentación o el enchufe en agua o en otros líquidos.
- Mantener el cable de alimentación lejos de las partes calientes del aparato.
- Durante el funcionamiento la toma de corriente debe ser de fácil acceso, en caso que fuera necesario desconectar el aparato.
- Evitar desconectar el aparato tirando del cable de alimentación.
- No desplazar el aparato cuando está en funcionamiento.
- No utilizar o guardar la maquina en exteriores o en proximidad de agua.
- Después de cada uso, desconectar siempre el enchufe de la toma de corriente.
- No remover por ningún motivo los cárter del aparato.



No dejar el aparato en ambientes cuya temperatura sea igual o inferior a 0°C. Si se piensa dejar la máquina inactiva por un periodo de tiempo bastante prolongado, desocupar el tanque de agua.

- Este aparato no debe ser utilizado por niños, personas inválidas, etc. sin estricta supervisión, o en todo caso por personas que no hayan recibido las debidas instrucciones sobre el uso de la máquina o que no entiendan los peligros que se derivan de un uso incorrecto.
- No utilizar el aparato con los pies descalzos y las manos mojadas.
- Desconectar siempre el enchufe de la toma de corriente antes de proceder a la limpieza del aparato y antes de efectuar cualquier tipo de operación.

SEGURIDAD DEL OPERADOR

- No tocar las partes calientes inmediatamente después del uso del aparato. Peligro de quemadura.
- Durante la erogación de la bebida, prestar atención a eventuales salpicaduras de líquido caliente.
- No levantar el vano de inserción de la cápsula durante la erogación de la bebida.

DESEMBALAJE Y POSICIONAMIENTO

- Remover la máquina de su embalaje y controlar que los componentes estén completos y que no presenten rupturas.



Los elementos del embalaje (cartón, celofán, grapas metálicas, etc.) pueden causar cortadas o heridas si no se manejan con cuidado o si se utilizan erróneamente: mantenerlos lejos del alcance de los niños y de personas inadecuadas.

- Posicionar el aparato sobre una superficie plana, regular, estable, termorresistente y adecuada al peso del aparato mismo.
- No instalar ni utilizar el aparato cerca de cortinas u otro material inflamable, y no colocar ningún objeto sobre el aparato durante el uso.
- No posicionar el aparato sobre o en inmediatas cercanías de un horno tradicional o de otros aparatos que generen calor (por ejemplo equipos de calefacción, etc.).
- Asegurarse que alrededor del aparato haya suficiente espacio para una correcta ventilación.

USO CORRECTO

- Este aparato ha sido diseñado para producir café expresso (mediante cápsulas), exclusivamente para uso doméstico. No debe utilizarse para otros fines y no debe ser modificada o alterada por ningún motivo. Cualquier otro uso debe considerarse inadecuado y por lo tanto peligroso. El constructor no será responsable por eventuales daños derivados de uso impropio, erróneo o irracional.

NORMATIVAS

- El productor declara que el producto al que se refiere el presente manual ha sido realizado en cumplimiento con las normas comunitarias, tal como indicado en la declaración de conformidad anexa.

IDENTIFICACIÓN DE LOS COMPONENTES (Fig.1)

1. Cuerpo del aparato
2. Tanque de agua
3. Tapa del tanque
4. Vano de inserción cápsula
5. Palanca apertura vano inserción cápsula
6. Cubeta recoge gotas y bandeja recoge cápsulas
7. Rejilla apoya tazas removable con doble altura
8. Enchufe alimentación

COMANDOS APARATO (Fig.1)

9. Interruptor erogación café largo
10. Interruptor erogación café corto
11. Luz calentamiento agua
12. Luz línea
13. Interruptor ON/OFF

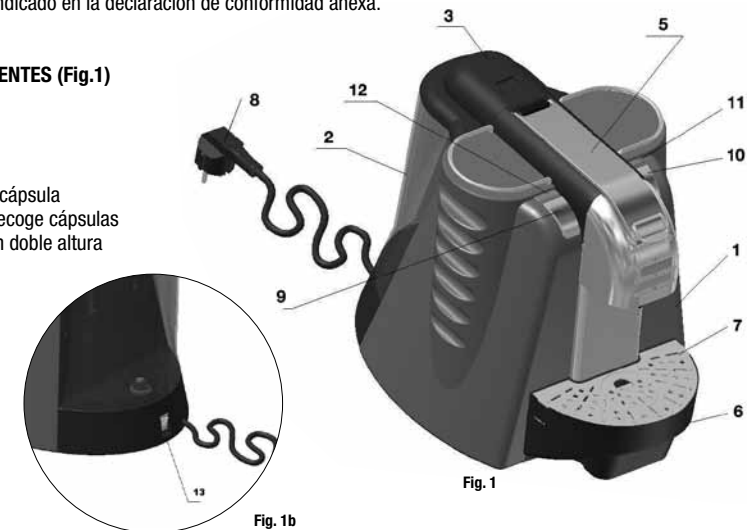


Fig. 1b

PREPARACIÓN DE LA MÁQUINA

Carga de agua

- Abrir la tapa (3 Fig.2) del tanque y verter agua fría en el mismo (2 Fig.2) (máximo 1 l), luego volver a colocar la tapa (3 Fig.2).



Conexión eléctrica

Antes de conectar la máquina a la línea eléctrica, controlar que el interruptor (13 Fig. 1) esté en la posición "OFF".

- Conectar eléctricamente la máquina introduciendo el enchufe (8 Fig. 1) en la toma.

Primera puesta en funcionamiento

Al utilizar el aparato por primera vez, o si no se ha utilizado por mucho tiempo, es necesario efectuar las siguientes operaciones:

- Remover el tanque (2 Fig.3) de la máquina, lavarlo cuidadosamente con agua y volverlo a colocar en su lugar.
- Controlar que la palanca (5 Fig. 4) esté hacia abajo, luego colocar un pocillo sobre la rejilla (7 Fig. 4).
- Presionar el interruptor (13 Fig.1) y posicionarlo en "ON": la luz (12 Fig.1) se enciende.



Esta operación es necesaria para asegurar el llenado de la caldera.

Puesta en funcionamiento de la máquina

- Controlar que en el tanque (2 Fig.1) haya suficiente agua, en caso contrario agregar agua según lo indicado en el parágrafo "Carga agua".
- Presionar el interruptor (13 Fig.1) en "ON": la luz 12 se enciende indicando que la línea está activada.
- Automáticamente comienza el calentamiento del agua contenida en la caldera.
- Esperar el encendido de la luz indicadora, la cual señala que el agua ha alcanzado la temperatura. (11 Fig.1).

PREPARACIÓN DEL CAFÉ

- Abrir el vano de inserción de la cápsula (4 Fig1) levantando la palanca (5 Fig.5).
- Colocar una cápsula (14 Fig. 5) en el vano de inserción de la cápsula (4 Fig. 5).
- Bajar la palanca (5 Fig.5) en posición "Cerrado".
- Esperar el encendido de la luz indicadora, la cual señala que el agua ha alcanzado la temperatura. (10 Fig.1).
- Colocar un pocillo sobre la rejilla (7 Fig.4) y presionar el interruptor (9 o 10 Fig. 1) para comenzar a erogar café.
Al alcanzar la cantidad programada, la maquina se va detener automáticamente.
- Al terminar la erogación, si se desea efectuar una nueva erogación levantar la palanca (5 Fig. 5) hasta "Abierto": insertar una nueva capsula, bajar la palanca en posición "cerrado", la cápsula utilizadas se descarga automáticamente en la bandeja (6 Fig.4).

NOTA: Al terminar las erogaciones de café, dejar siempre cerrado el vano inserción cápsula (4 Fig.5), palanca (5 Fig.4) en posición "Cerrado".

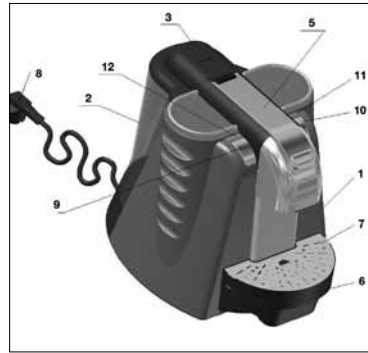


Fig. 1

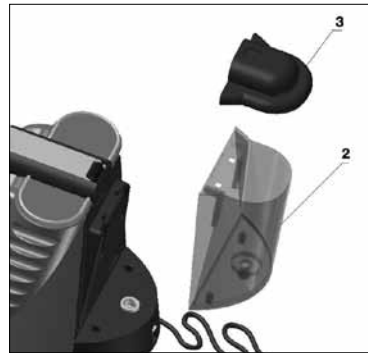


Fig. 2



Fig. 3



La bandeja recoge cápsulas (6 Fig.6) puede contener máximo 15 cápsulas, luego es necesario desocuparla tirándola hacia afuera.

Después de 6-8 erogaciones de café, se aconseja descargar las cápsulas contenidas en la bandeja (6 Fig.1).

PROGRAMACION DE LAS DOSIS

1. Mantener presionado el botón «café largo» (9 Fig.1), Presionar el interruptor (13 Fig.1) y posicionarlo en "ON" para encender la maquina, la luz (12 Fig.1) pestañeara rápidamente
2. Abrir el vano de inserción de la cápsula (4 Fig1) levantando la palanca (5 Fig.5)
3. Colocar una cápsula (13 Fig. 5) en el vano de inserción de la cápsula (4 Fig. 5)
4. Bajar la palanca (5 Fig.5) en posición "Cerrado"
5. Mantener presionada la tecla de la bebida que se quiere programar y detener la presión de la tecla solamente cuando se alcanza la longitud de la dosis deseada.
6. Repetir la misma operación para la programación del otro Botón
7. Para confirmar la operación de programación, apagar y volver a encender la máquina (Interruptor 13 Fig.1)



LIMPIEZA

Antes de efectuar la operación de limpieza, desconectar SIEMPRE el enchufe (8 Fig.1) de la toma de corriente.

- Para la limpieza del cuerpo del aparato (1 Fig.1) usar un paño húmedo, evitando el uso de detergentes abrasivos.



No sumergir nunca el cuerpo del aparato (1 Fig.1) en agua o en otros líquidos. No lavar nunca el cuerpo del aparato (1 Fig.1) en la lavadora de platos.

- Remover la parrilla (7 Fig. 1) y la cubeta (6 Fig. 1) y lavarlas con detergente normales para loza, luego de eliminar eventuales cápsulas presentes.
- Remover periódicamente el tanque de agua (2 Fig.3), enjuagarlo con agua limpia, luego reposicionarlo en su lugar.

OPERACIONES DE DESCALCIFICACIÓN

- Efectuar periódicamente la descalcificación de la máquina.



La frecuencia de esta operación depende del nivel de dureza de la utilizada.

- Colocar en el tanque (2 Fig.1) una dosis de solución descalcificante líquida (seguir las instrucciones del productor). Utilizar sólo soluciones apropiadas para máquinas para café express.
- Controlar que haya una cápsula en el vano inserción de la cápsula (4 Fig. 1) si posible una capsula vacía
- Bajar la palanca (5 Fig. 1).
- Poner en funcionamiento la máquina según lo indicado en el parágrafo "Puesta en funcionamiento de la máquina".
- Colocar sobre la rejilla (7 Fig.1) un contenedor con una capacidad de aproximadamente 500 cc.
- Erogar 3-4 veces agua caliente presionando el botón (9 Fig.1).

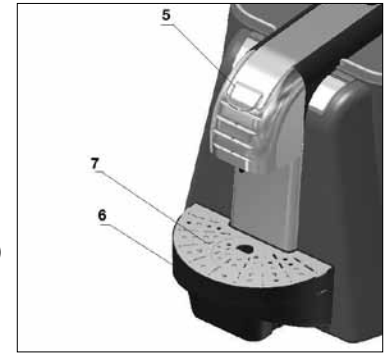


Fig. 4

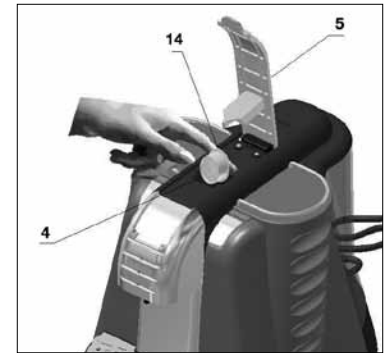


Fig. 5

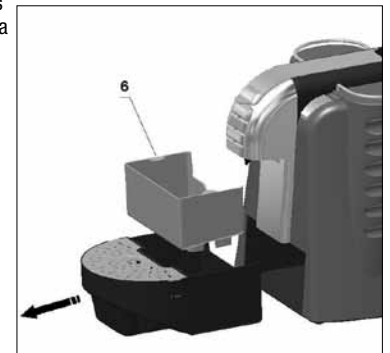


Fig. 6



Al terminar la operación, para remover los residuos de solución del circuito repetir las operaciones arriba descritas utilizando únicamente agua limpia.

Enjuagar cuidadosamente el tanque (2 Fig.1) y secarlo antes de volver a utilizar la máquina.

GUÍA PARA LA SOLUCIÓN DE ALGUNOS PROBLEMAS

En caso de presentarse algún problema de funcionamiento, se aconseja efectuar los controles sencillos que se indican a continuación.

En caso que el problema no esté entre los enumerados, o que a pesar de haber aplicado la solución aconsejada el problema persista, dirigirse a un revendedor autorizado.

DESGUACE

- La puesta en desuso de la máquina debe ser efectuada por personal autorizado. Hay que eliminar completamente la presión del circuito hidráulico, desconectar el cable de alimentación y desechar legal y correctamente las sustancias potencialmente dañinas para el medio ambiente.
- No bote los electrodomésticos como desechos municipales no seleccionados, utilice los servicios especiales de colecta.
- Contacte a las autoridades locales para la información concerniente a los sistemas de recolección disponibles.
- Si los electrodomésticos han sido botados en los campos o descargas no autorizadas, las substancias tóxicas pueden pasar a las aguas subterráneas y de esta forma pasar a la cadena alimenticia, dañando su salud y bienestar.
- Cuando reemplace los electrodomésticos viejos por otros nuevos, el revendedor está obligado legalmente a recibir el viejo electrodoméstico para reciclarlo, gratuitamente.
- Conservar la máquina lejos del alcance de los niños y de personas no-responsables.
- Para el desguace como desecho, entregar la máquina en un centro autorizado para el reciclaje de equipos eléctricos y electrónicos (*). Esto se hace para impedir eventuales daños al medio ambiente o al hombre. Para ulteriores informaciones sobre el reciclaje, contactar las oficinas del municipio de residencia, el servicio de recolección de desechos domésticos o el revendedor.
- No desechar en el medio ambiente.

Etiqueta puesta sobre la máquina como identificación según la Norma WEEE (2002/96/CE) sobre el Desguace de los Equipos Eléctricos y Electrónicos designados al mercado europeo.

ADVERTENCIAS ADICIONALES

- En caso de daño, el cable de alimentación del aparato debe ser reemplazado exclusivamente por el productor, por su minorista autorizado o por el personal calificado para evitar todo incidente.
- Este aparato no está destinado a ser utilizado por personas (incluidos niños) con capacidades físicas, sensorias o mentales reducidas, o con una falta de experiencia o conocimientos técnicos, antes de haber recibido la instrucción para el funcionamiento y haber tenido la supervisión de una persona responsable de su seguridad.
- Los menores deben ser vigilados para asegurarse que no están jugando con el electrodoméstico.
- Este aparato se destina a un uso doméstico o en aplicaciones similares tal cual: cocinas del personal en almacenes, oficinas u otro medio ambiente de trabajo; en explotaciones agrarias ; por clientes en hoteles, moteles u otro medio ambiente de tipo residencial; en medio ambiente de tipo bed and breakfast.
- En caso de incompatibilidad entre la toma y el enchufe del aparato, hacer reemplazar la toma por otra adecuada por una persona profesionalmente calificada, que deberá también verificar que la sección de los cables de la toma sea idónea para la potencia absorbida por el aparato.
No se aconseja el uso de adaptadores, tomas múltiples y/o extensiones.
En caso que su uso fuese indispensable, es necesario utilizar únicamente adaptadores simples o múltiples y extensiones conformes a las normas de seguridad vigentes, temiendo siempre cuidado de no superar su límite de capacidad.
- El uso de un aparato eléctrico implica el cumplimiento de algunas normas fundamentales, a saber:
 - no tocar ni usar el aparato con las manos mojadas o húmedas, o con los pies descalzos;
 - Los menores deben ser vigilados para asegurarse que no están jugando con el electrodoméstico
 - no tirar del cable de alimentación o del aparato mismo para desconectar el enchufe de la toma de corriente;
 - no permitir que niños o personas incapaces utilicen el aparato sin la debida supervisión.

- En caso de daño y/o de malfuncionamiento del aparato, apagarlo y no alterarlo.
Para eventuales reparaciones dirigirse únicamente a un revendedor autorizado.
El incumplimiento de lo anterior puede afectar la seguridad del aparato.
- Si se decide dejar de utilizar este aparato, al que volverlo no-operativo cortando el cable de alimentación, después de haber desconectado el enchufe de la toma de corriente.
Además, se recomienda volver inofensivas aquellas partes del aparato susceptibles de constituir un peligro, especialmente para los niños, que podrían utilizar el aparato en desuso para sus propios juegos.
- La instalación debe efectuarse según las instrucciones del constructor.
Una instalación incorrecta puede causar daños a personas, animales o cosas, en cuyo caso el constructor no puede considerarse responsable.
- Para evitar recalentamientos peligrosos, se recomienda desenrollar totalmente el cable de alimentación y utilizar el aparato según lo aconsejado en el parágrafo "Advertencias para el uso".
- En caso de daño, el cable de alimentación del aparato debe ser reemplazado exclusivamente por el revendedor autorizado.
- El constructor no puede considerarse responsable por eventuales daños a personas, animales o cosas, derivados de un uso inadecuado o irracional del aparato, o por reparaciones efectuadas por personas no-calificadas.

INCONVENIENTE	POSIBLE CAUSA	POSIBLE SOLUCIÓN
El aparato no se pone en funcionamiento.	El enchufe no está debidamente insertado en la toma de corriente.	Verificar que el enchufe esté debidamente insertado en la toma de corriente.
El café es demasiado frío.	La máquina no está lista.	Esperar que el indicador luminoso indique que se ha alcanzado la temperatura adecuada.
La erogación del café no se produce o se produce demasiado lentamente.	Falta agua en el tanque.	Controlar que el nivel de agua en el tanque sea suficiente, eventualmente llenar con agua natural fresca.



Gentil Senhora, Prezado Senhor,

Nos cumprimentamos consigo por ter escolhido uma máquina de café SAMCO FANTASTICA.

A sua nova máquina, dotada dos componentes mais inovadores, garantidos pelo Know-how e pela experiência Italiana é fabricada e testada com os métodos mais avançados da pesquisa e da técnica moderna para garantir a qualidade e a confiabilidade, no mais profundo respeito do ambiente.

Antes de utilizar este aparelho, pedimos que leia atentamente o presente “manual de instruções para o uso” para otimizar as características funcionais e eliminar qualquer inconveniente que possa ser causado pelo uso errado ou não conforme do mesmo.

CARACTERÍSTICAS TÉCNICAS

- Tensão V 230/240
- Frequência Hz 50/60
- Potência nominal: W 1200
- Dimensões (LxDxH): 27 x 38 x 28 cm.
- Capacidade exacta do tacque: L 1,2
- Peso (aproximativo) kg 5

ADVERTÊNCIAS SOBRE O USO

Ler atentamente as advertências contidas nas presentes instruções, pois as mesmas fornecem indicações inerentes à segurança de instalação, uso e manutenção. Conservar com cuidado este manual para consultas futuras.

- Toda a vez que utilizar a máquina, verifique antes a integridade mecânica de todos os componentes do aparelho. O corpo do aparelho, a tampa do recipiente, o recipiente, o grupo porta pastilha não devem apresentar rupturas ou rachaduras. A bainha e a ficha do cabo de alimentação não devem evidenciar rachaduras nem rupturas. Ao notar alguma das características acima descritas, deve-se retirar prontamente a ficha da tomada e levar o aparelho junto a um revendedor autorizado para efectuar os controlos necessários.
- Recomenda-se alimentar o aparelho através de um interruptor diferencial (RCD) com corrente de intervenção não superior a 30 mA.
- Não deixar o cabo de alimentação eléctrica ao alcance das crianças.
- Antes de inserir a ficha na tomada de corrente da parede, verificar que o aparelho se encontre apagado.
- A segurança eléctrica deste aparelho é garantida somente quando conectado a uma eficiente instalação de ligação à terra como previsto pelas normas de segurança em vigor. Mande verificar este importante requisito por pessoas profissionalmente qualificadas. O fabricante não pode ser considerado responsável por danos causados pela falta de ligação à terra.
- Antes de conectar electricamente o aparelho certifique-se de que a rede de alimentação eléctrica corresponda à do aparelho.
- É proibido utilizar cabos soltos ou extensões não homologadas para alimentar electricamente o aparelho.
- Antes de utilizar o aparelho, remover todos os eventuais filmes de protecção das paredes do corpo do aparelho.
- Na altura da primeira utilização é possível que o aparelho emita algum cheiro causado pelos materiais de isolamento e pelos elementos sujeitos a aquecimento. Este inconveniente desaparece em poucos minutos.

**Não deixe o aparelho sem água no recipiente.**

- Nunca mergulhe o aparelho, o cabo de alimentação e a ficha em água ou outros líquidos.
- Manter o cabo de alimentação afastado das partes quentes do aparelho.
- Durante o funcionamento a tomada de corrente deve ser facilmente acessível, para o caso em que fosse necessário desligar o aparelho.
- Evitar de desligar o aparelho puxando o cabo de alimentação.
- Não deslocar o aparelho enquanto está a funcionar.
- Não utilizar ou guardar o aparelho ao ar livre ou próximo à água.
- Após cada utilização remover sempre a ficha da tomada de corrente.
- Não remover por nenhum motivo os cárteres do aparelho.



Não deixar o aparelho em ambientes cujas temperaturas sejam iguais ou inferiores a 0°C. Se pretende deixar a máquina inactiva por um longo período de tempo, esvazie o recipiente da água.

- Este aparelho não deve ser utilizado por crianças, pessoas inaptas, etc. sem uma atenta vigilância, ou em todo caso por pessoas que não tenham sido adequadamente instruídas sobre o uso do aparelho e os perigos derivantes de um uso não correcto.
- Não utilizar o aparelho quando estiver com os pés descalços e as mãos molhadas.
- Remover sempre a ficha da tomada de corrente antes de limpar o aparelho e antes de efectuar qualquer tipo de operação.

**SEGURANÇA OPERADOR**

- Não tocar nas partes quentes (grupo porta pastilha, etc.) logo após o uso do aparelho. Perigo de queimadura.
- Durante a distribuição da bebida cuidado com eventuais borrifos de líquido quente.
- Não levantar o alojamento porta pastilha durante a distribuição da bebida.

DESEMBALAGEM E POSICIONAMENTO

- Remover a máquina da embalagem, verificar a presença de todos os componentes e que os mesmos não apresentem rupturas.



Os elementos de embalagem (papelão, celofane, agrafos de metal, etc.) podem cortar ou ferir se não forem manejados com cuidado ou se utilizados erroneamente; manter longe do alcance de crianças ou de pessoas irresponsáveis.

- Posicionar o aparelho numa superfície plana, regular, estável, resistente ao calor e adequada ao peso do aparelho.
- Não instalar nem utilizar o aparelho perto de cortinas ou outro material inflamável, e não colocar nenhum objecto em cima do aparelho durante o uso.
- Não posicionar o aparelho em cima ou nas proximidades de um forno tradicional ou outros aparelhos que emitem calor (por exemplo radiador, etc.).
- Certificar-se de que o espaço em volta do aparelho seja suficiente para a correcta ventilação.

USO CORRECTO

- Este aparelho foi concebido para produzir café expresso (mediante pastilhas), para uso exclusivamente doméstico. Não deve ser utilizado para outras finalidades e não deve ser alterado ou violado por motivo algum. Qualquer outro uso é de se considerar impróprio e portanto perigoso. O fabricante não pode ser considerado responsável por eventuais danos derivados de usos impróprios, erróneos e irracionais.

NORMATIVAS

- O fabricante declara que o produto ao qual se refere o presente manual foi realizado em conformidade com as directivas comunitárias como indica a declaração de conformidade anexada.

IDENTIFICAÇÃO DOS COMPONENTES (Fig. 1)

1. Corpo aparelho
2. Recipiente água
3. Tampa recipiente
4. Alojamento inserção pastilha
5. Alavanca de abertura do alojamento inserção pastilha
6. Contentor para recolher gotas
7. Grelha de apoiar chávenas removível
8. Ficha de alimentação

COMANDOS DO APARELHO (Fig. 1)

9. Interruptor de distribuição café longo
10. Interruptor de distribuição café curto
11. Lâmpada de aquecimento da temperatura da água
12. Lâmpada de linha
13. Interruptor ON/OFF

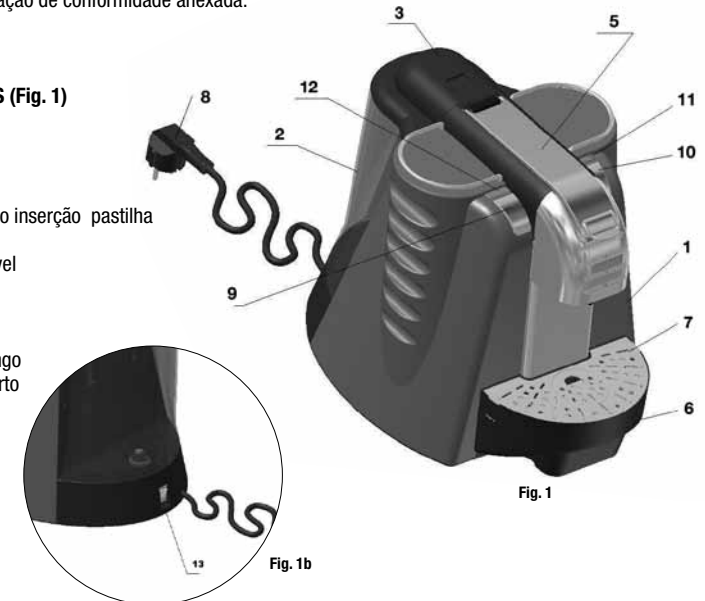


Fig. 1

Fig. 1b

PREPARAÇÃO DA MÁQUINA**Enchimento de água**

- Abrir a tampa (3 Fig. 2) do recipiente e deitar água fria no recipiente (2 Fig. 2) (máximo 1l), recolocar então a tampa (3 Fig. 2).

**Ligação eléctrica**

Antes de efectuar a ligação eléctrica da máquina controlar que o interruptor (12 Fig. 1) se encontre na posição "OFF".

- Efectuar a ligação eléctrica da máquina inserindo a ficha (8 Fig. 1) na tomada.

Primeira activação

A primeira vez que utilizar o aparelho, ou quando o mesmo não tenha sido utilizado durante muito tempo, é necessário efectuar as seguintes operações:

- Remover o recipiente (2 Fig. 3) da máquina, lavar cuidadosamente com água e remontar na máquina tendo o cuidado de o posicionar no alojamento próprio.
- Certificar-se de que a alavanca (5 Fig. 4) está para baixo, colocar então uma chávina na grelha (7 Fig. 4).
- Premer o interruptor (13 Fig. 1) e o posicionar em "ON", a lâmpada (12 Fig. 1) se ilumina.



Esta operação é necessária para garantir o preenchimento da caldeira.

Activação da máquina

- Controlar se no recipiente (2 Fig. 1) há água suficiente para as necessidades, se assim não for, introduzir água como indicado no parágrafo "Enchimento de água".
- Premer o interruptor (13 Fig. 1) no "ON", a lâmpada (12 Fig. 1) se ilumina a indicar que a linha está activa.
- Activa-se automaticamente o aquecimento da água contida na caldeira.
- Aguardar o atingimento da temperatura indicada da comutação da lâmpada com aviso luz. (11 Fig. 1).

PREPARAÇÃO DO CAFÉ

- Abrir o alojamento de inserção da pastilha (4 Fig. 1) a subir a alavanca (5 Fig. 5).
- Posicionar uma pastilha (14 Fig. 5) no alojamento de inserção da pastilha (4 Fig. 5).
- Descer a alavanca (5 Fig. 5) no "Fechado".
- Aguardar o atingimento da temperatura indicada da comutação da lâmpada com aviso luz. (11 Fig. 1).
- Posicionar na grelha (7 Fig. 4) uma chávina e premer o interruptor (9 ou 10 Fig. 1) para iniciar a distribuição do café. Ao atingir a quantidade programada a distribuição parar-se-á automaticamente
- Ao terminar a distribuição, se deseja efectuar uma nova distribuição, levantar a alavanca (5 Fig. 5) até a posição "Aberto", inserir uma nova pastilha, a pastilha usada será descarregada automaticamente na gaveta (6 Fig. 4).

NOTA: Terminadas as distribuições de café deixar sempre fechado o alojamento porta pastilha (4 Fig. 5) e colocar a alavanca (5 Fig. 4) na posição "fechado".

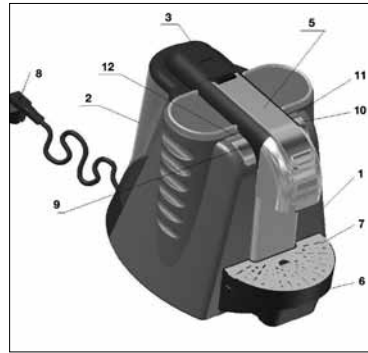


Fig. 1

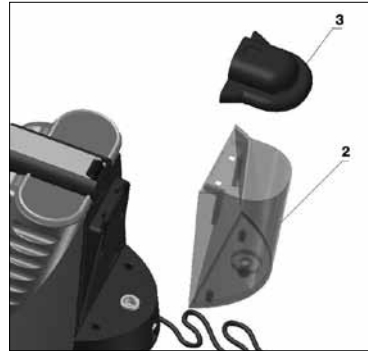


Fig. 2

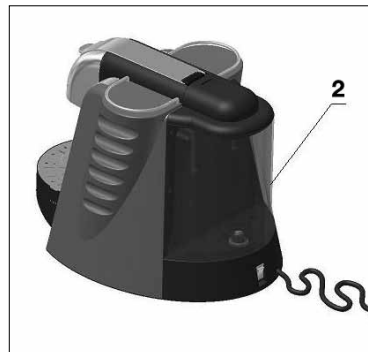


Fig. 3

programada a distribuição



A gaveta porta pastilhas usadas (6 Fig. 6) pode conter até um máximo de 15 pastilhas. Ao atingir esta quantidade, a gaveta deve ser necessariamente extraída e esvaziada.

Após 6-8 distribuições aconselha-se deitar fora as pastilhas contidas na gaveta (6 Fig. 1).

PROGRAMAÇÃO DAS DOSES

- 1) Manter premido o botão "café longo" (9 Fig. 1); ligar a máquina, premindo o interruptor (13 Fig. 1) e colocando-o na posição «on»; o indicador luminoso (12 Fig. 1) piscará rapidamente.
- 2) Abrir o compartimento de inserção da cápsula (4 Fig. 1), levantando a alavanca (5 Fig. 5)
- 3) Posicionar uma cápsula (13 Fig. 5) no compartimento de inserção da cápsula (4 Fig. 5).
- 4) Baixar a alavanca (5 Fig. 5) para a posição fechada.
- 5) Manter premido o botão da bebida que pretende programar e soltá-lo apenas quando for atingida a quantidade da dose pretendida.
- 6) Repetir a mesma operação para a programação do outro Botão.
- 7) Para confirmar a operação de programação, desligar e voltar a ligar a máquina (Interruptor 13 Fig. 1)

PULIZIA

Antes de efectuar a operação de limpeza, retirar SEMPRE a ficha (8 Fig. 1) da tomada de corrente.

- Para a limpeza do corpo aparelho (1 Fig. 1) usar um pano húmido evitando de utilizar detergentes abrasivos. Nunca mergulhe o corpo aparelho (1 Fig. 1) na água ou outros líquidos.



Nunca lave o corpo aparelho (1 Fig. 1) na máquina de lavar louça.

- Remover a grelha (7 Fig. 1) e o contentor para recolher gotas (6 Fig. 1), deitar fora as eventuais pastilhas e depois lavar as duas peças com normal detergente de louça.
- Remover periodicamente o recipiente da água (2 Fig. 3) e enxaguá-lo com água limpa, reposicioná-lo então correctamente.

OPERAÇÕES DE DESCALCIFICAÇÃO

- Efectuar periodicamente a descalcificação da máquina.



A frequência desta operação depende do grau de dureza da água utilizada.

- Colocar no recipiente (2 Fig. 1) uma dose de solução descalcificadora líquida (respeitar as indicações do fabricante). Utilizar exclusivamente soluções idóneas para máquinas de café expresso.
- Certificar-se de que há uma pastilha no alojamento porta pastilhas (4 Fig. 1) preferivelmente esvazia
- Descer a alavanca (5 Fig. 1).
- Activar a máquina como indicado no parágrafo "Activação da máquina".
- Posicionar na grelha (7 Fig. 1) um contentor com capacidade para 500cc. Aproximadamente
- Distribuir 3-4 vezes a água quente a premer o botão (9 Fig. 1).

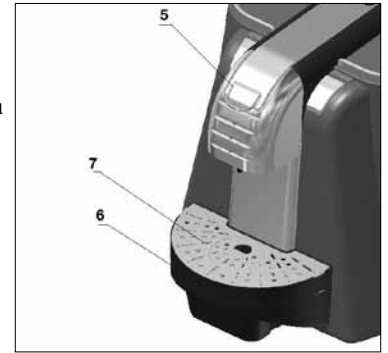


Fig. 4

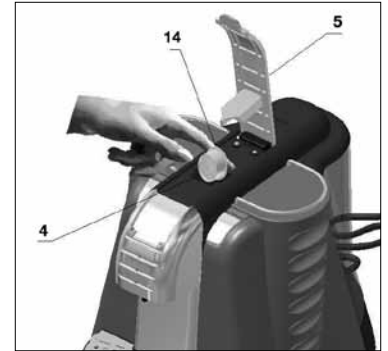


Fig. 5

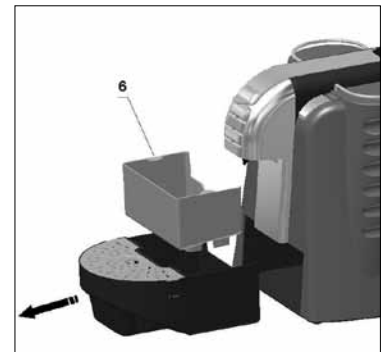


Fig. 6



No final da operação, para remover os resíduos da solução do circuito, repetir as operações acima descritas utilizando porém apenas água limpa. Enxaguar cuidadosamente o recipiente (2 Fig. 1) e enxugá-lo antes de usar novamente a máquina.

GUIA À SOLUÇÃO DE ALGUNS PROBLEMAS

No caso em que ocorra um problema no funcionamento, aconselha-se efectuar alguns simples controlos indicados a seguir. No caso em que o problema não constar entre os da lista, ou se mesmo realizando a operação aconselhada o mesmo persistir, dirija-se a um revendedor autorizado

DESMANTELAMENTO

- A desactivação da máquina deve ser efectuada por pessoal autorizado. A pressão do circuito hidráulico deve ser baixada completamente, o cabo de alimentação deve ser desligado e as substâncias potencialmente prejudiciais para o ambiente devem ser eliminadas legalmente e correctamente.
- Não deite fora os electrodomésticos como resíduos municipais não seleccionados, use os serviços especiais para a recolha.
- Contacte as autoridades locais para a informação a respeito dos sistemas de recolha disponíveis.
- Se os electrodomésticos forem deitados para o campo ou em lugares não autorizados, as substâncias tóxicas podem passar para as águas subterrâneas e desta forma passar à cadeia alimentar, danificando a sua saúde e seu bem-estar.
- Quando substituir os velhos electrodomésticos por outros novos, o revendedor está legalmente obrigado a receber o electrodoméstico velho e o reciclar gratuitamente.
- Conservar a máquina longe do alcance de crianças ou pessoas irresponsáveis.
- Para o desmantelamento como resíduo, entregar a máquina a um centro autorizado para a reciclagem de (*). Isto deve ser feito para impedir eventuais danos ao ambiente ou às pessoas. Para maiores informações sobre a reciclagem contactar os escritórios do concelho de pertinência, o serviço eliminação de resíduos domésticos, ou o revendedor.
- Não abandonar no meio ambiente.

*Rótulo colocado na máquina como identificação da Directiva WEEE (2002/96/CE) sobre os Resíduos de Equipamentos Eléctricos e Electrónicos designado ao mercado Europeu.

ADVERTÊNCIAS SUPLEMENTARES

- Se o cabo de alimentação deste aparelho estiver danificado, deve ser substituído pelo fabricante ou pelo seu revendedor autorizado ou por pessoal qualificado, de modo a evitar qualquer acidente.
- Este aparelho não se destina a ser utilizado por pessoas (incluindo crianças) com capacidades físicas, sensoriais ou mentais reduzidas, ou com falta de experiência ou de conhecimentos, antes de terem recebido instruções referentes ao funcionamento e de terem tido a supervisão de uma pessoa responsável pela sua segurança.
- As crianças devem ser vigiadas para garantir que não brincam com o aparelho.
- Este aparelho destina-se a uma utilização doméstica ou em aplicações semelhantes, tais como: cozinhas de pessoal em lojas, escritórios ou outro ambiente de trabalho; quintas; por clientes em hotéis, motéis ou outros ambientes de tipo residencial; em ambientes de tipo hoteleiras.
- No caso de incompatibilidade entre a tomada e a ficha do aparelho, mandar substituir a tomada com outra de tipo idóneo por pessoal profissionalmente qualificado, que também deverá certificar-se de que a secção dos cabos da tomada seja idónea para a potência absorvida pelo aparelho. Desaconselha-se o uso de adaptadores, tomadas múltiplas e/ou extensões. No caso em que o uso dos mesmos seja indispensável, será preciso utilizar somente adaptadores simples ou múltiplos e extensões conformes às normas de segurança em vigor, tendo porém o cuidado de não ultrapassar os limites de capacidade.
- O uso de um aparelho eléctrico implica na observância de algumas regras fundamentais. Nomeadamente:
 - não tocar nem usar o aparelho com as mãos molhadas ou húmidas ou com os pés descalços;
 - Os menores devem ser vigiados para se certificar de que não estão a brincar com o electrodoméstico.
 - não puxar o cabo de alimentação ou o próprio aparelho para retirar a ficha da tomada de corrente;
 - não permitir que o aparelho seja utilizado por crianças, ou pessoas inaptas, sem vigilância.
- No caso de avaria e/ou mau funcionamento do aparelho, o mesmo deve ser apagado e não violado. Para a eventual reparação dirigir-se exclusivamente a um revendedor autorizado. A não observância de quanto acima indicado pode prejudicar a segurança do aparelho.

- Ao decidir de não mais utilizar este aparelho, cabe torná-lo inoperante cortando o cabo de alimentação após retirar a ficha da tomada de corrente. Recomenda-se, ainda, de tornar inócuas as partes do aparelho que podem constituir perigo, especialmente para as crianças que poderiam utilizá-las como brinquedo.
- A instalação deve ser efectuada consoante as instruções do fabricante. Uma instalação não correcta pode causar danos a pessoas, animais ou coisas, em relação dos quais o fabricante não pode ser considerado responsável.
- Para evitar superaquecimentos perigosos, recomenda-se de desenrolar o cabo de alimentação em todo o seu comprimento e de utilizar o aparelho como aconselhado no parágrafo “Advertências para o uso”.
- Se o cabo de alimentação deste aparelho estiver danificado, deve ser substituído exclusivamente pelo revendedor autorizado.
- O fabricante não pode ser considerado responsável por eventuais danos a pessoas, animais ou coisa derivante do uso impróprio e irracional do aparelho e por reparações efectuadas por pessoas não qualificadas.

INCONVENIENTE	CAUSA POSSÍVEL	REMÉDIO POSSÍVEL
O aparelho não se activa.	A ficha não foi inserida correctamente.	Verificar a inserção da ficha na tomada de corrente.
O café está frio.	A máquina não está pronta.	Aguardar que o indicador luminoso assinala que a temperatura atingiu o ponto.
O café não sai, ou então sai muito lentamente.	Falta água no recipiente.	Controlar que o nível da água no recipiente seja regular e, se for o caso, encher com água natural fresca.